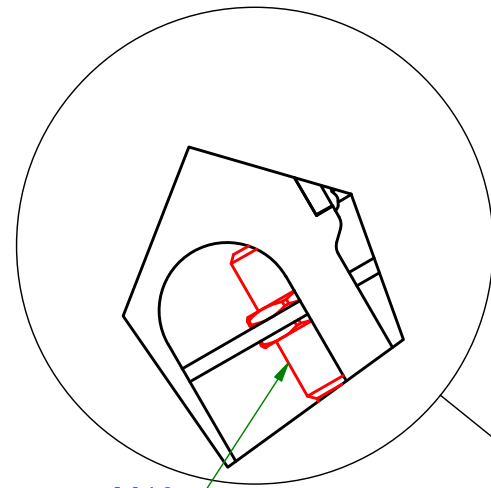
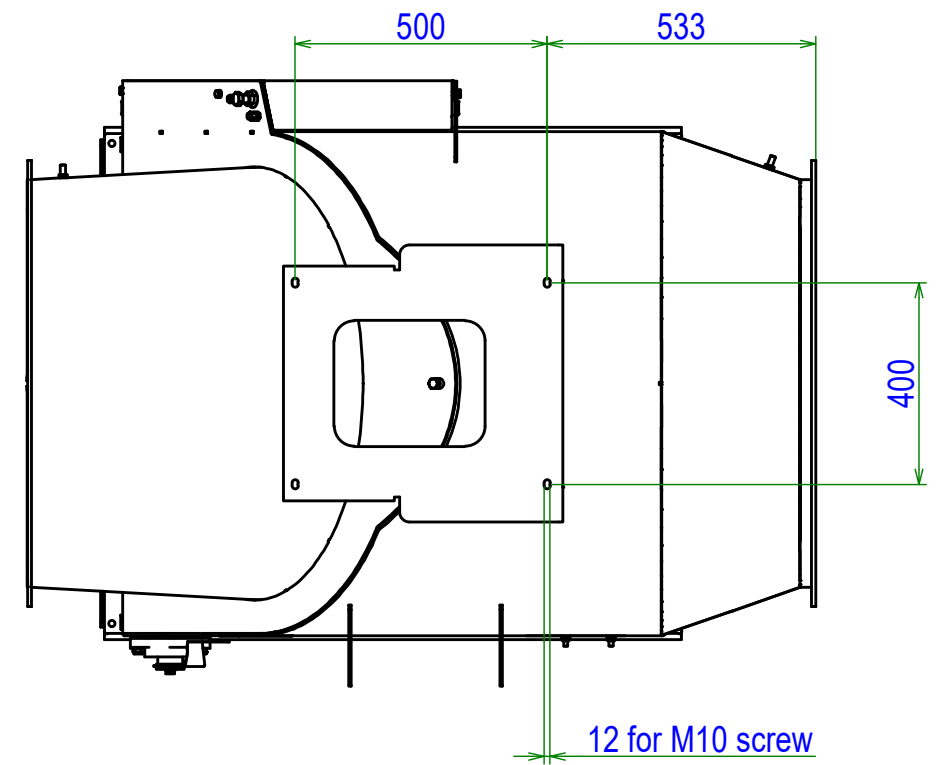


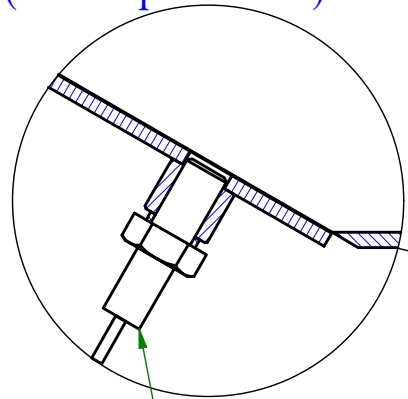
B (Flap position detector)



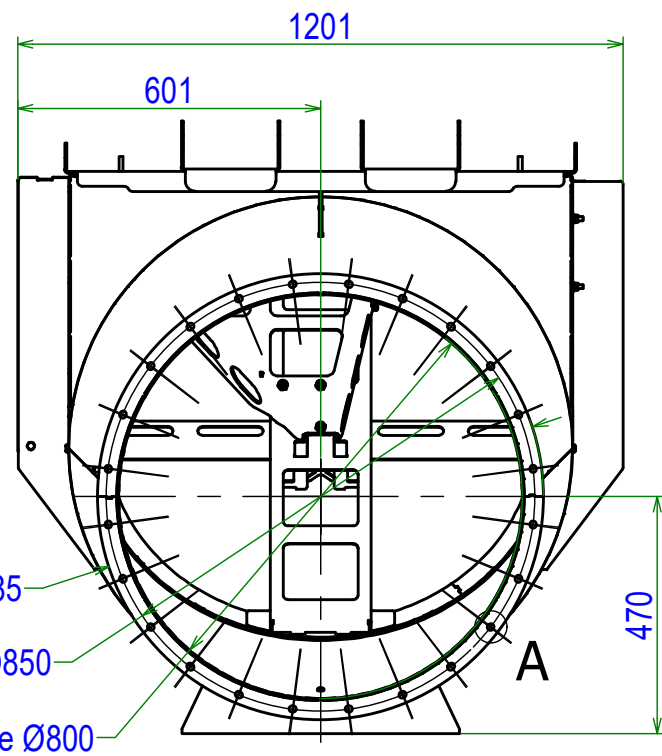
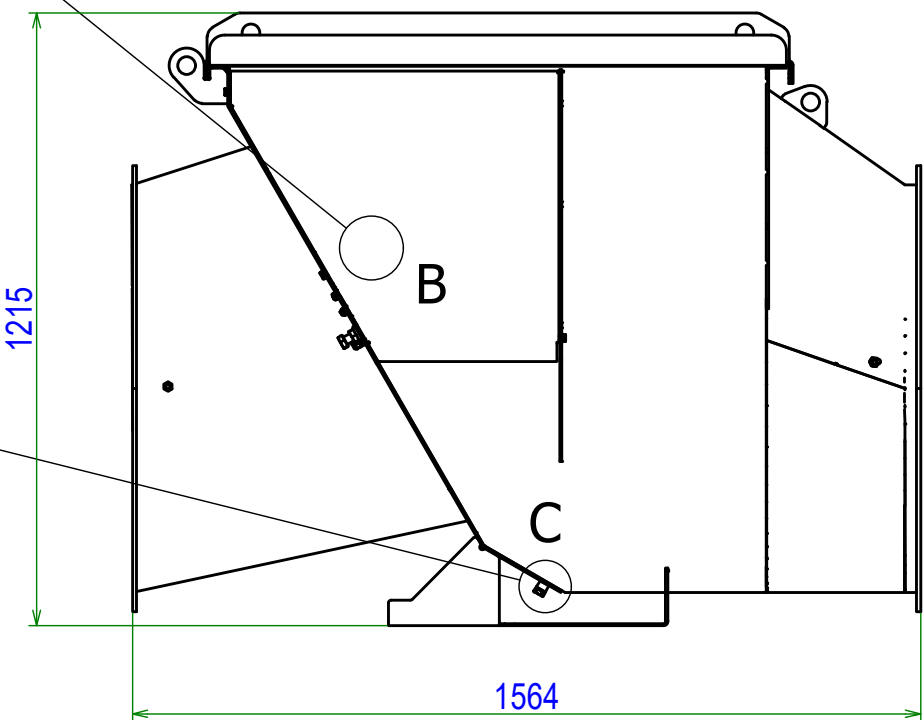
Inductive detector M18



C (Build up detector)



Capacitive detector M12

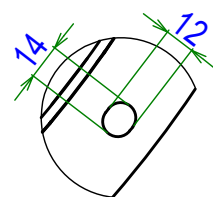


Outside Ø885

Axis Ø850

Inside Ø800

A (Hole x24 for M10 screw)



Pressure resistance = 2bar
Optional flanges and flange gaskets

Informative dimension

Weight : 282 kg

A	Création	22/03/21	BM	MJ
Ind.	Objet de la modification	Date	Nom	Vérif.
STIF	Matière:	Date de création: 22/03/2021	A3	Ech.: s/e
Plan n°: 57VP_080_Clt				
Désignation: VigiFlap PASSIVE Ø800				