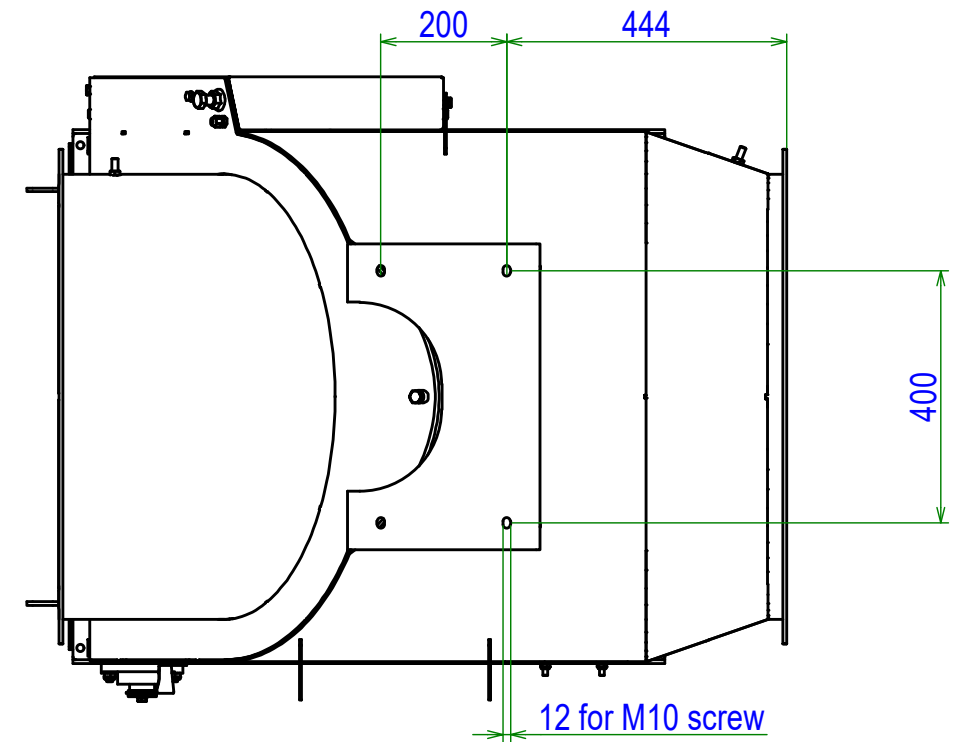
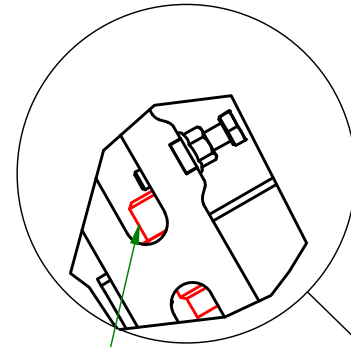
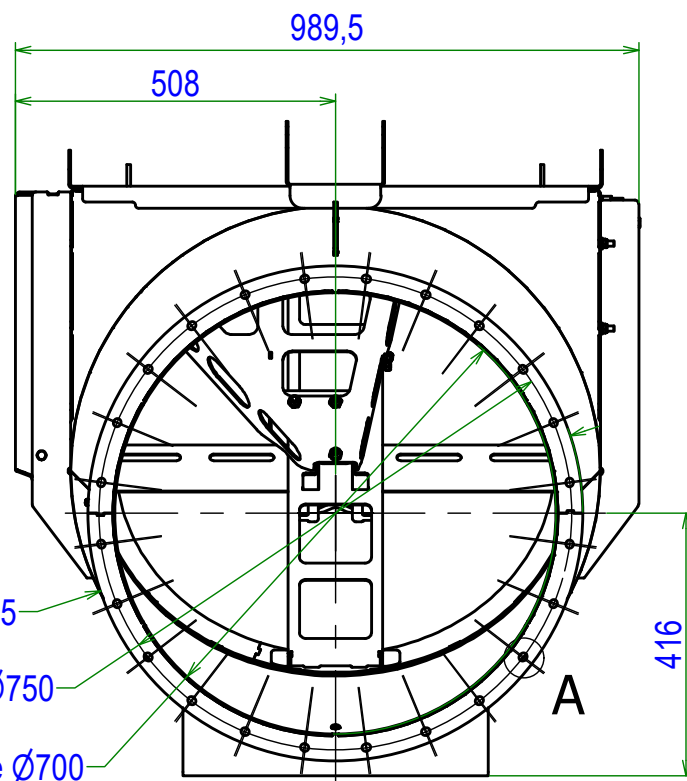
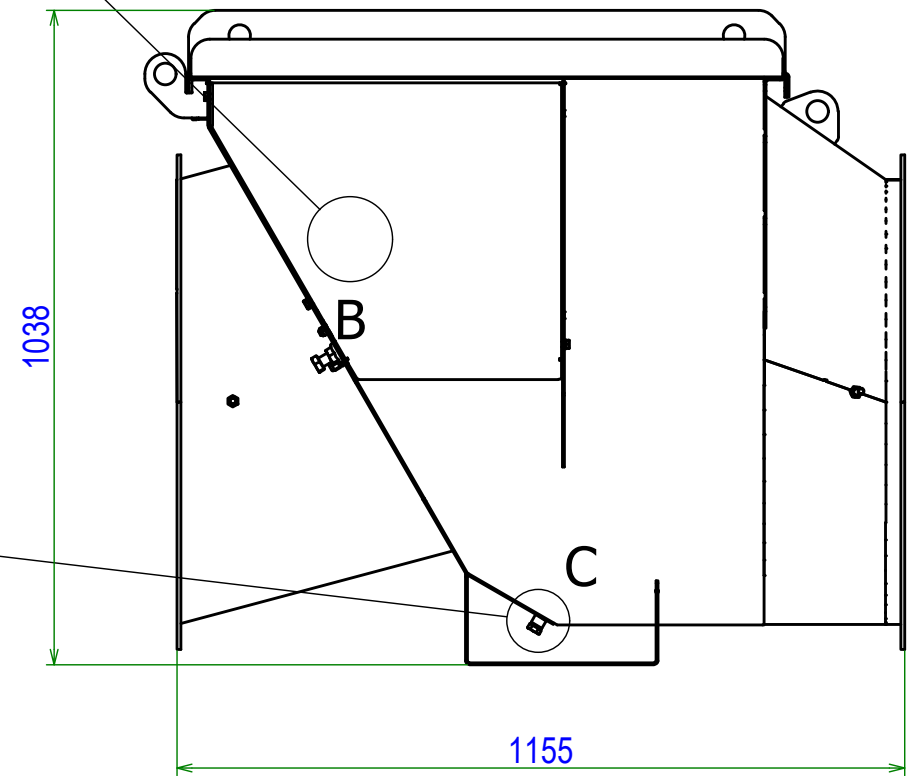
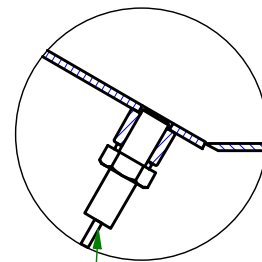


B (Flap position detector)



Inductive detector M18

C (Build up detector)

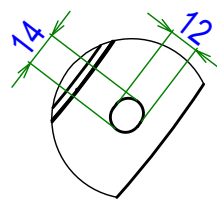


Outside Ø785

Axis Ø750

Inside Ø700

A (Hole x24 for M10 screw)



Pressure resistance = 2bar  
Optional flanges and flange gaskets

Informative dimension

Weight : 146 kg

A	Création	07/01/21	BM	MJ
Ind.	Objet de la modification	Date	Nom	Vérif.
<b>STIF</b>	Matière:	Date de création: 22/03/2021	A3	Ech.: s/e
Plan n°: 57VP_070_Clt				
Désignation: <b>VigiFlap PASSIVE Ø700</b>				