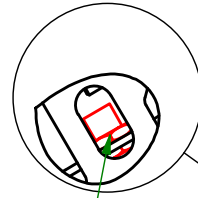
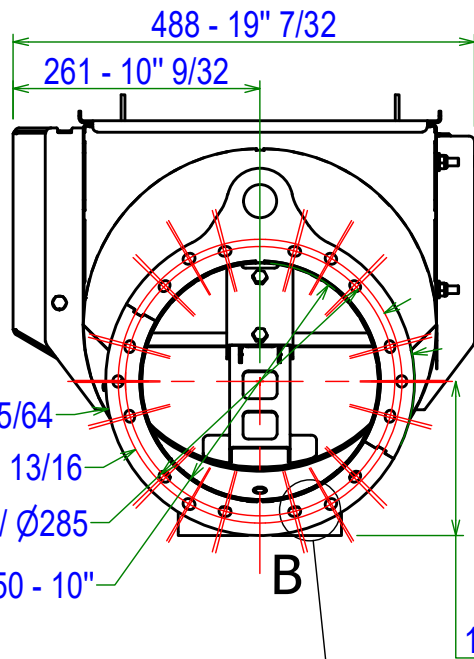
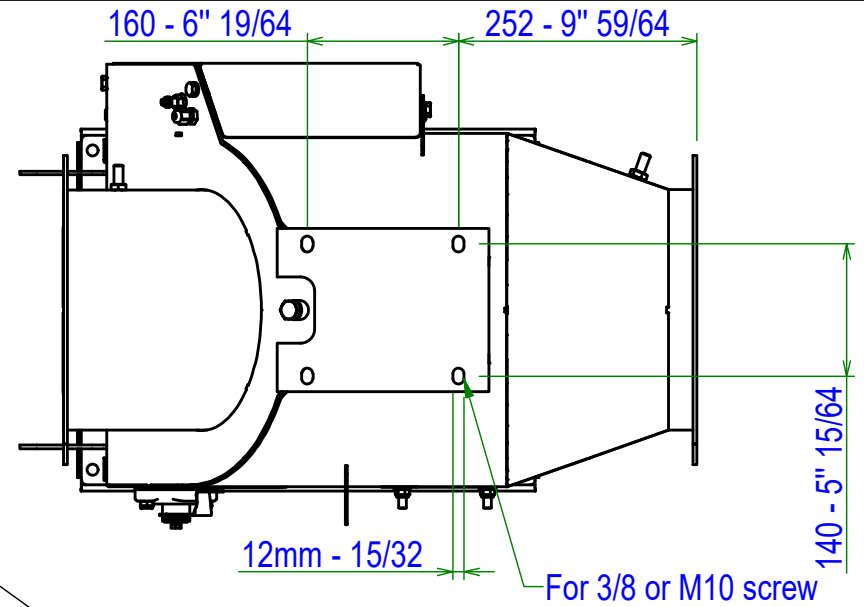


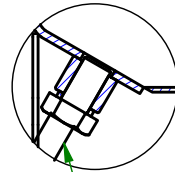
A (Flap position detector)



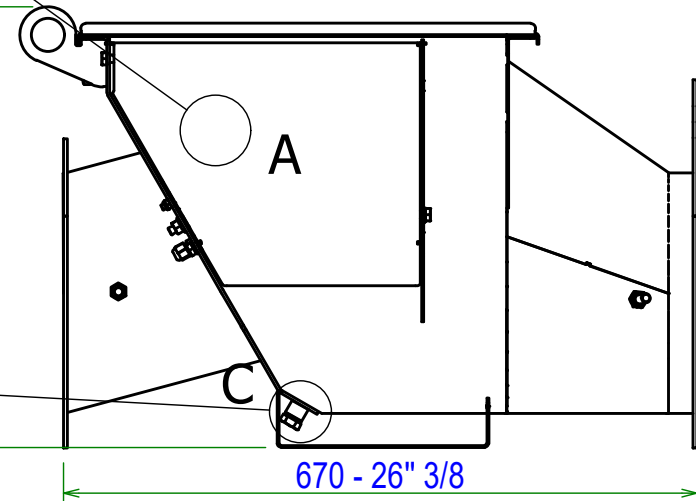
Inductive detector M12 - 15/32



C (Build up detector)

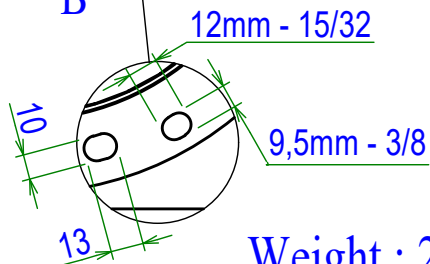


Capacitive detector M12 - 15/32



Outside  $\varnothing 326,8 - 12" 55/64$   
 IMP axis  $6 \times \varnothing 3/8 / 11" 13/16$   
 EU axis  $12 \times \varnothing 10 / \varnothing 285$   
 Inside  $\varnothing 250 - 10"$

B



Pressure resistance = 2bar  
 Optimal flanges and flange gaskets

Informative dimension

Weight : 28Kg

A	Création	19/03/21	BM	MJ
Ind.	Objet de la modification	Date	Nom	Vérif.
<b>STIF</b> Matière:		Date de création: 19/03/2021	A4	Ech.: s/e
Plan n°: 57VP_025_Clt				
Désignation: <b>VigiFlap PASSIVE Ø250-10"</b>				