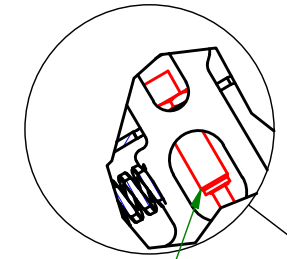
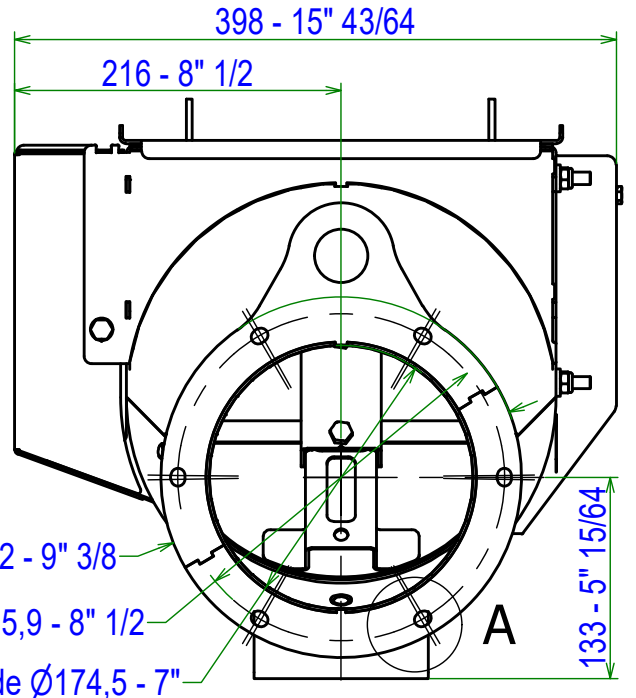


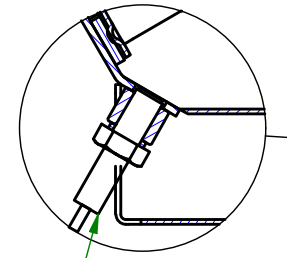
B (Flap position detector)



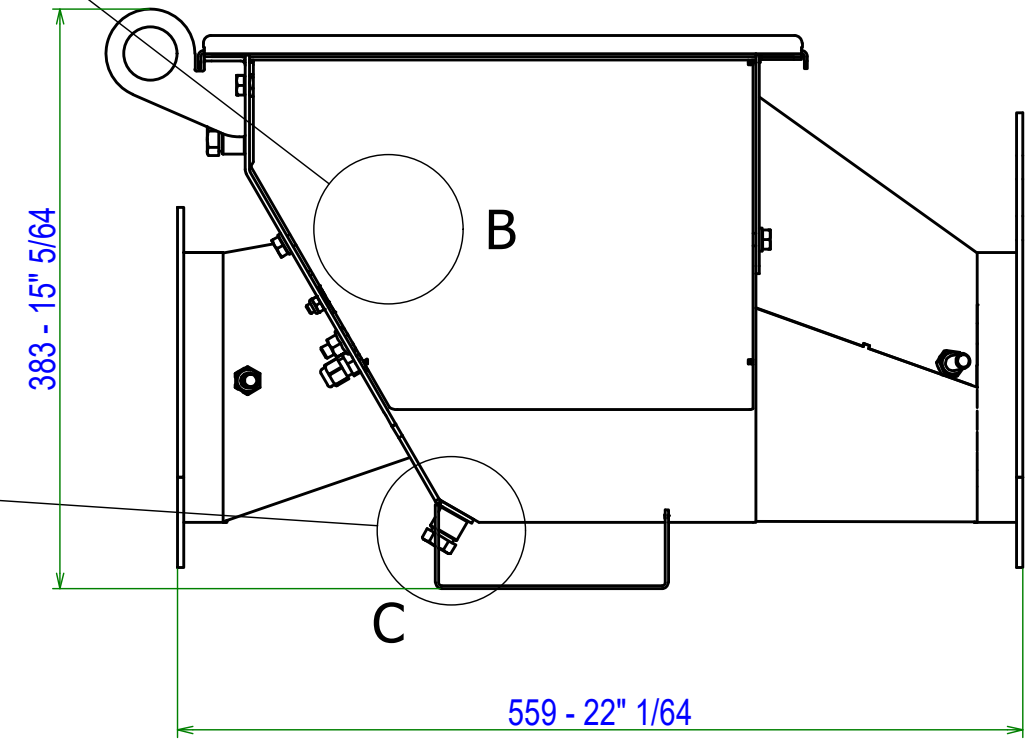
Inductive detector M12



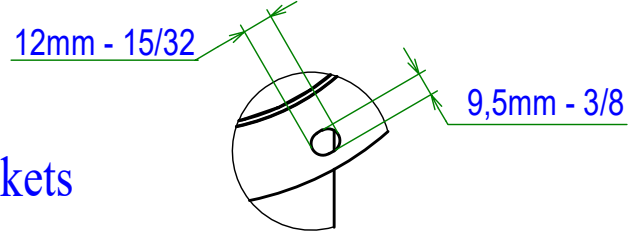
C (Build up detector)



Capacitive detector M12



A (Hole x6 for 5/16 screw)



Pressure resistance = 2bar  
Optional flanges and flange gaskets

Informative dimension

Weight : 19 kg

A	Création	22/03/21	BM	MJ
Ind.	Objet de la modification	Date	Nom	Vérif.
Matière:		Date de création: 22/03/2021	A3	Ech.: s/e
Plan n°: 57VP_007_Clt				
Désignation: <b>VigiFlap PASSIVE Ø7"</b>				