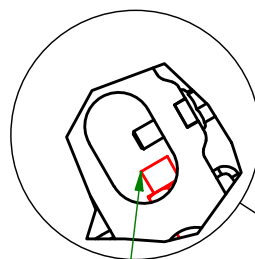
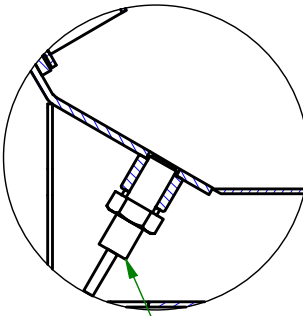


B (Flap position detector)

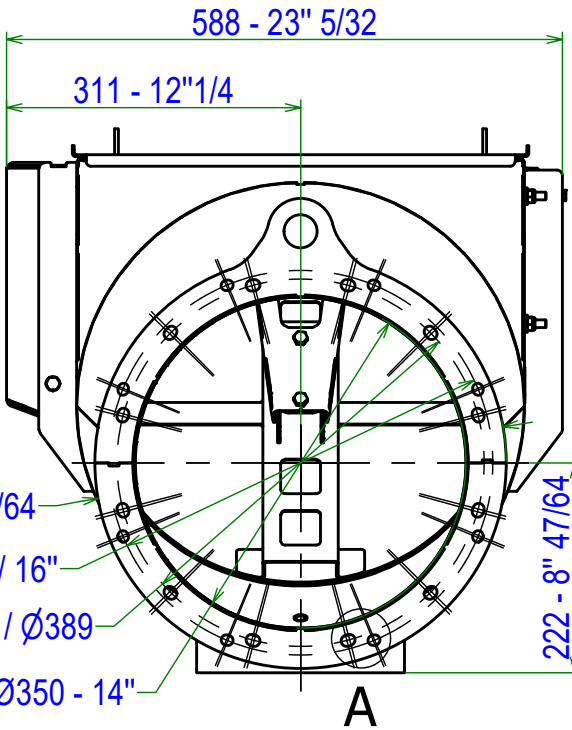


Inductive detector M12 - 15/32

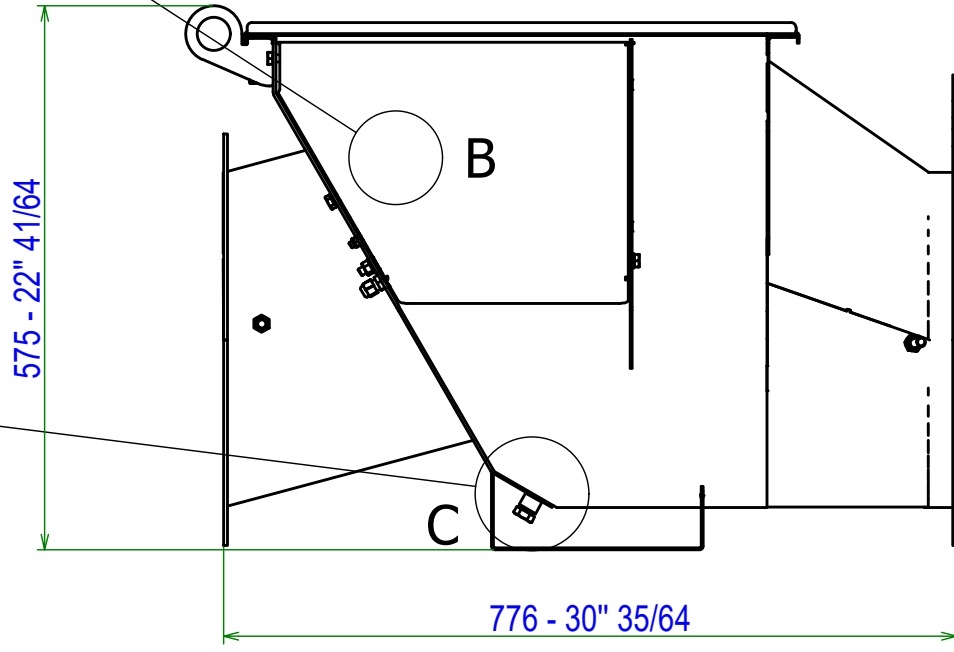
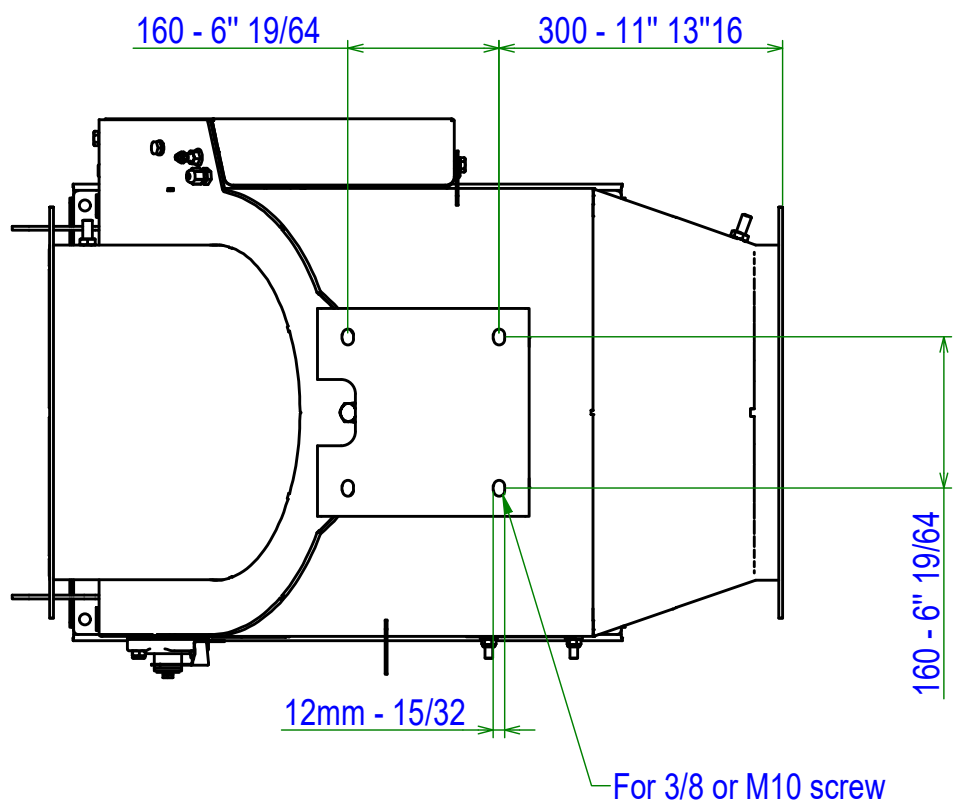
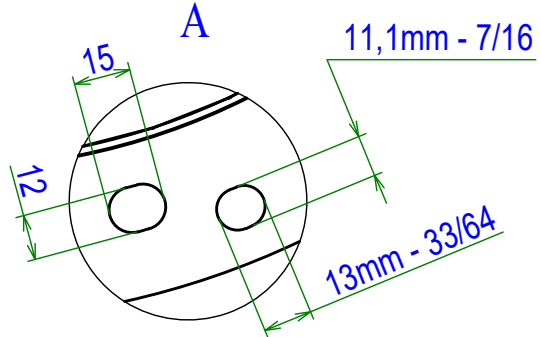
C (Build up detector)



Capacitive detector M12 - 15/32



Outside Ø435,2 - 17" 9/64  
 IMP axis 8 x Ø7/16 / 16"  
 EU axis 12xØ12 / Ø389  
 Inside Ø350 - 14"



Pressure resistance = 2bar  
 Optional flanges and flange gaskets

Informative dimension

Weight : 40 kg

A	Création	19/03/21	BM	MJ
Ind.	Objet de la modification	Date	Nom	Vérif.
 Matière:		Date de création: 19/03/2021	A3	Ech.: s/e 
Plan n°: 57VP_035_Clt				
Désignation: <b>VigiFlap PASSIVE Ø350-14"</b>				