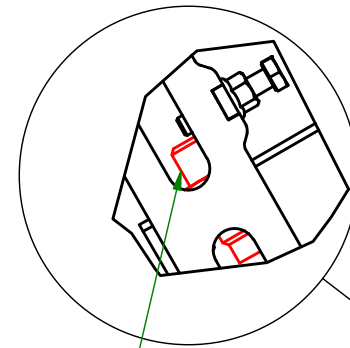
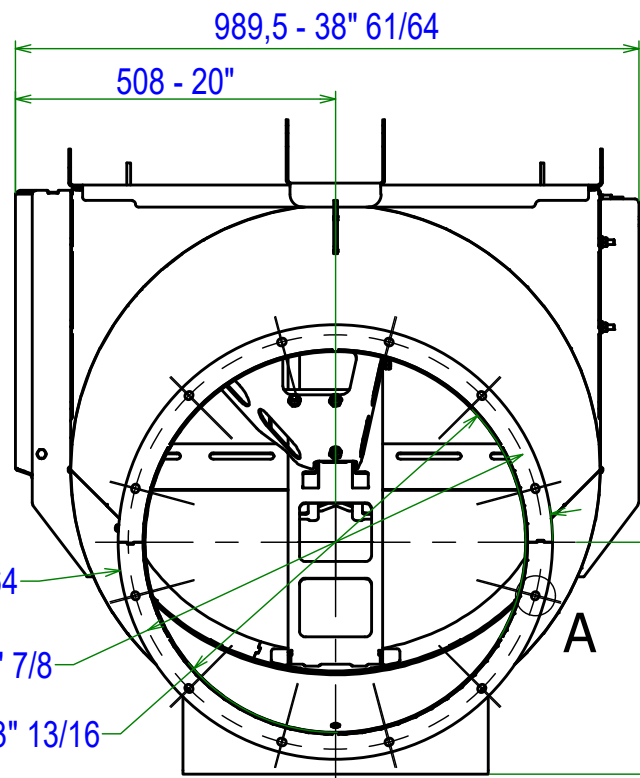
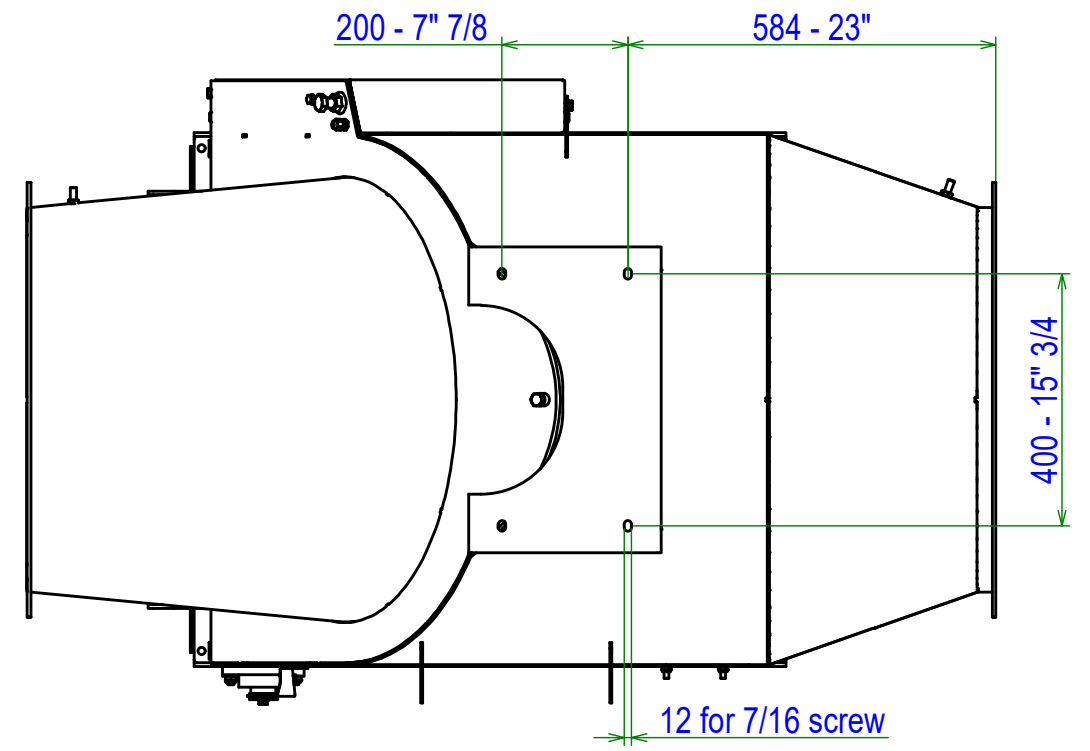


B (Flap position detector)



Inductive detector M18

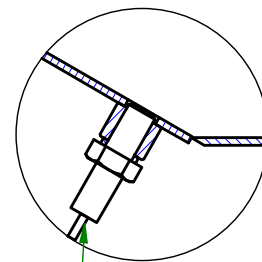


Outside $\text{Ø}689,2 - 27'' 9/64$

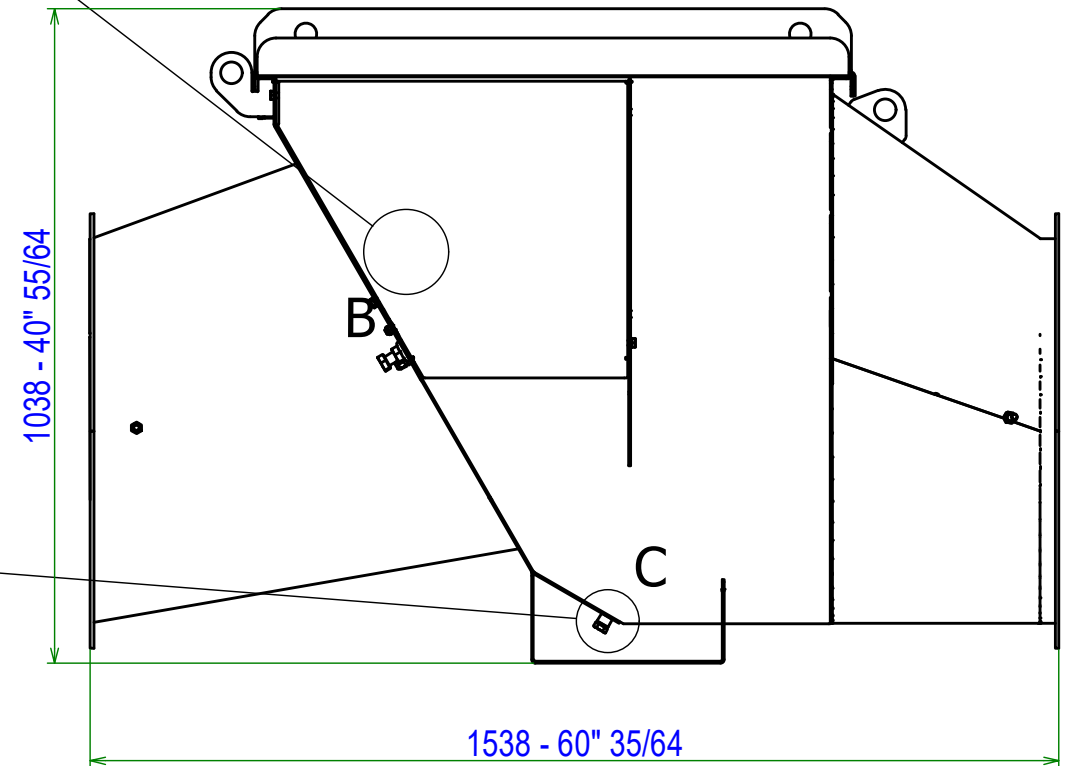
Axis $\text{Ø}657,2 - 25'' 7/8$

Inside $\text{Ø}605 - 23'' 13/16$

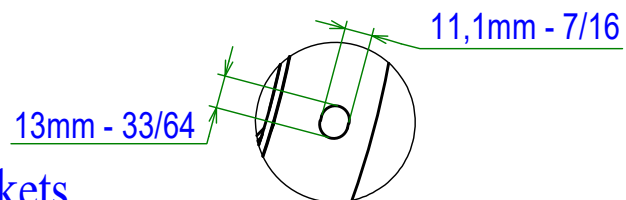
C (Build up detector)



Capacitive detector M12



A (Hole x12 for 3/8 screw)



Pressure resistance = 2bar
Optional flanges and flange gaskets

Informative dimension

Weight : 150 kg

| | | | | |
|---|--------------------------|------------------------------|-----|-----------|
| A | Création | 22/03/21 | BM | MJ |
| Ind. | Objet de la modification | Date | Nom | Vérif. |
| Matière: | | Date de création: 22/03/2021 | A3 | Ech.: s/e |
| Plan n°: 57VP_024_Clt | | | | |
| Désignation: VigiFlap PASSIVE Ø24" | | | | |