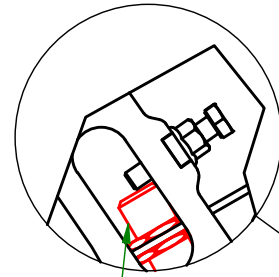
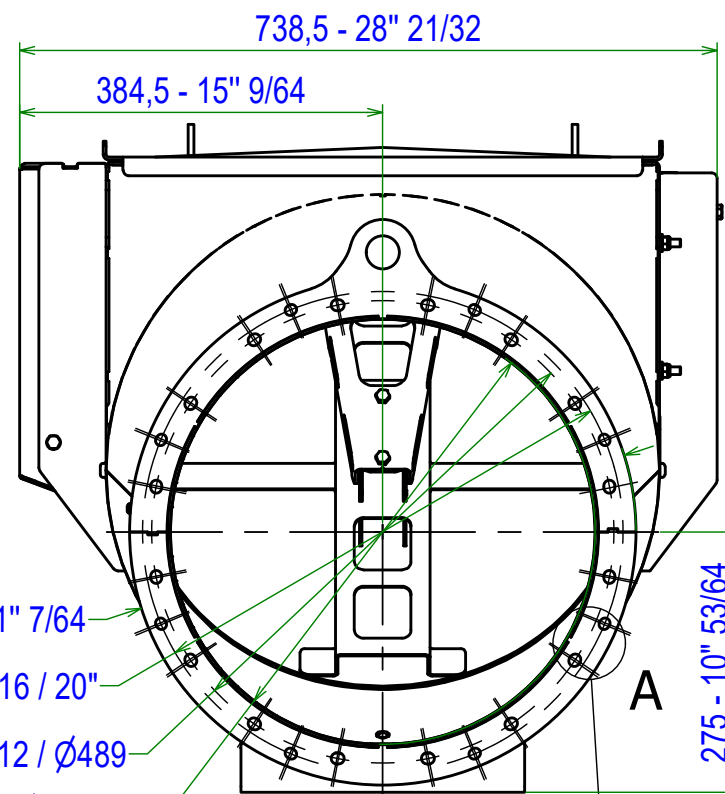


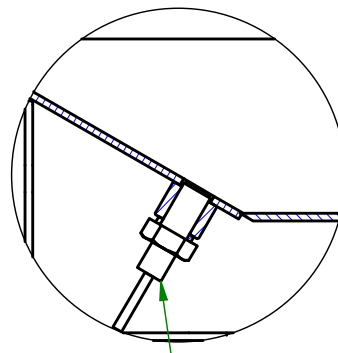
B (Flap position detector)



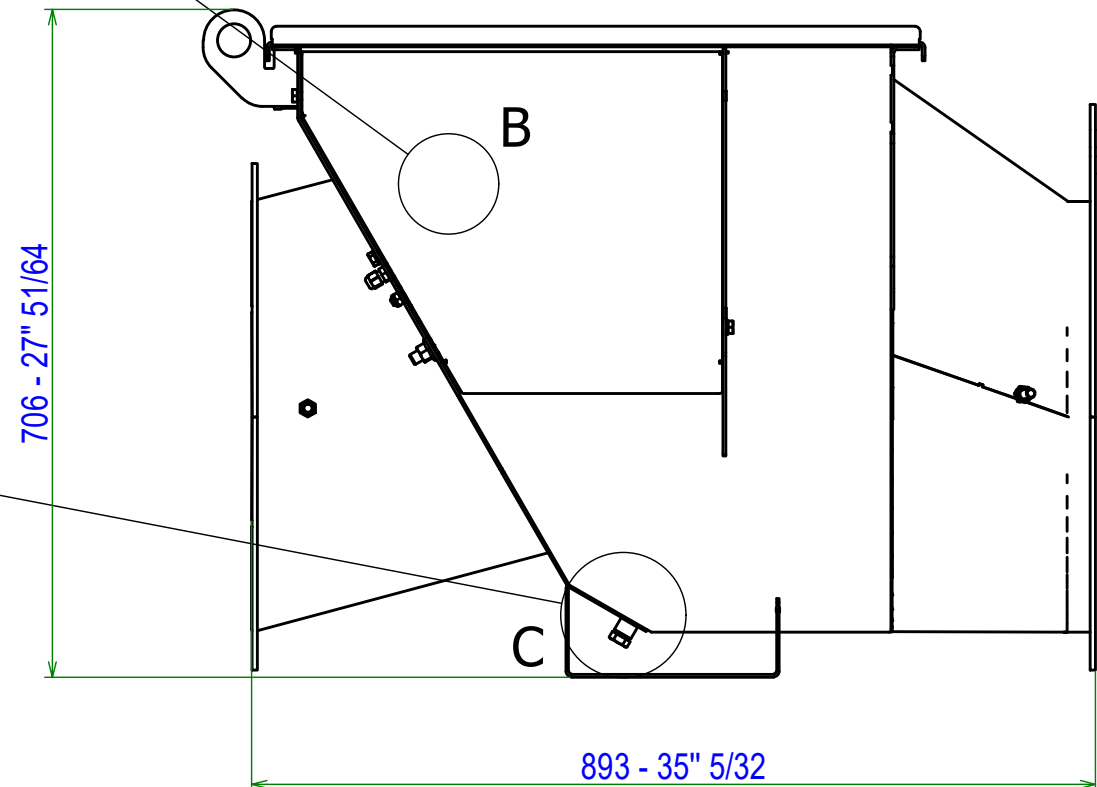
Inductive detector M18 - 45/64



C (Build up detector)



Capacitive detector M12 - 15/32



Outside Ø536,2 - 21 7/64

IMP axis 8xØ7/16 / 20"

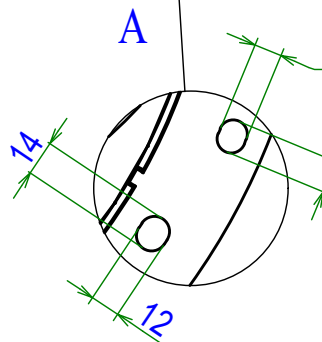
EU axis 16xØ12 / Ø489

Inside Ø450 - 18"

A

11,1mm - 7/16

13mm - 33/64



Pressure resistance = 2bar
Optional flanges and flange gaskets

Informative dimension

Weight : 70 kg

A	Création	19/03/21	BM	MJ
Ind.	Objet de la modification	Date	Nom	Vérif.
Matière:		Date de création: 03/11/2020	A3	Ech.: s/e
Plan n°: 57VP_045_Clt				
Désignation: VigiFlap PASSIVE Ø450 - 18"				