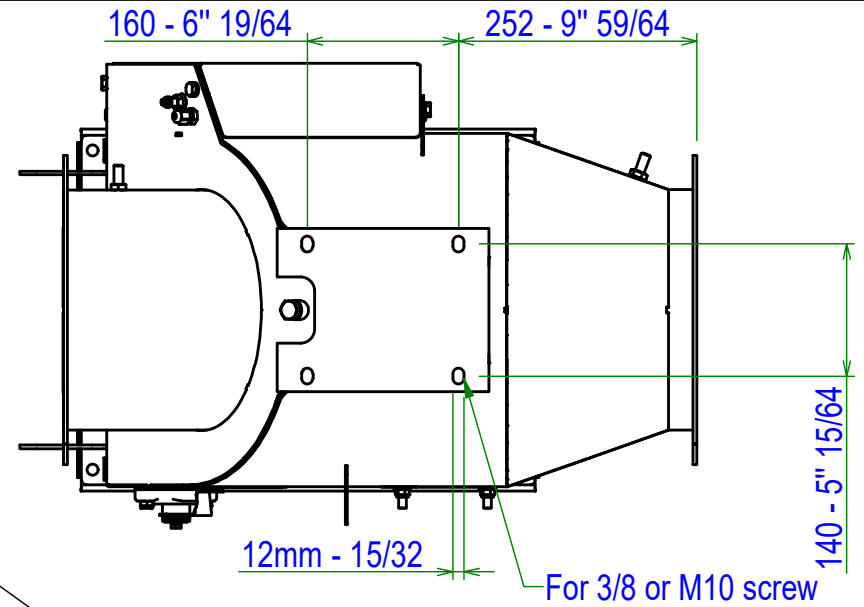
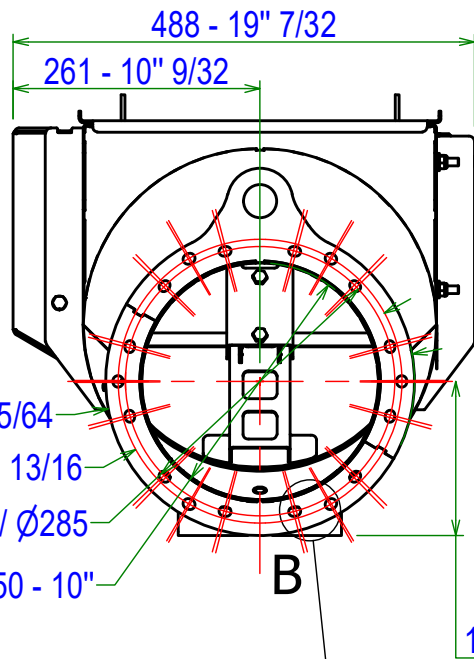


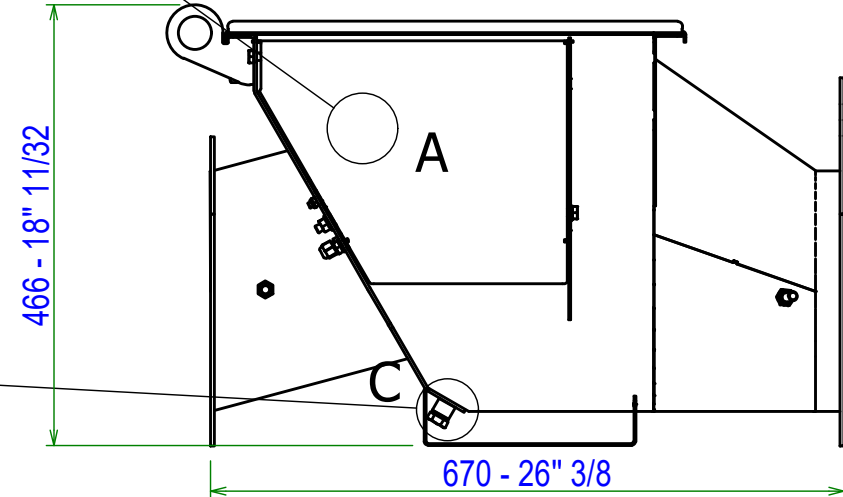
A (Flap position detector)



Inductive detector M12 - 15/32



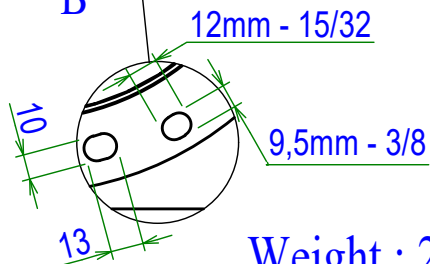
C (Build up detector)



Capacitive detector M12 - 15/32

Outside Ø326,8 - 12" 55/64
 IMP axis 6xØ3/8 / 11" 13/16
 EU axis 12 x Ø10 / Ø285
 Inside Ø250 - 10"

B



Pressure resistance = 2bar
 Optimal flanges and flange gaskets

Informative dimension

Weight : 28Kg

A	Création	19/03/21	BM	MJ
Ind.	Objet de la modification	Date	Nom	Vérif.
Matière:		Date de création: 19/03/2021	A4	Ech.: s/e
Plan n°: 57VP_025_Clt				
Désignation: VigiFlap PASSIVE Ø250-10"				