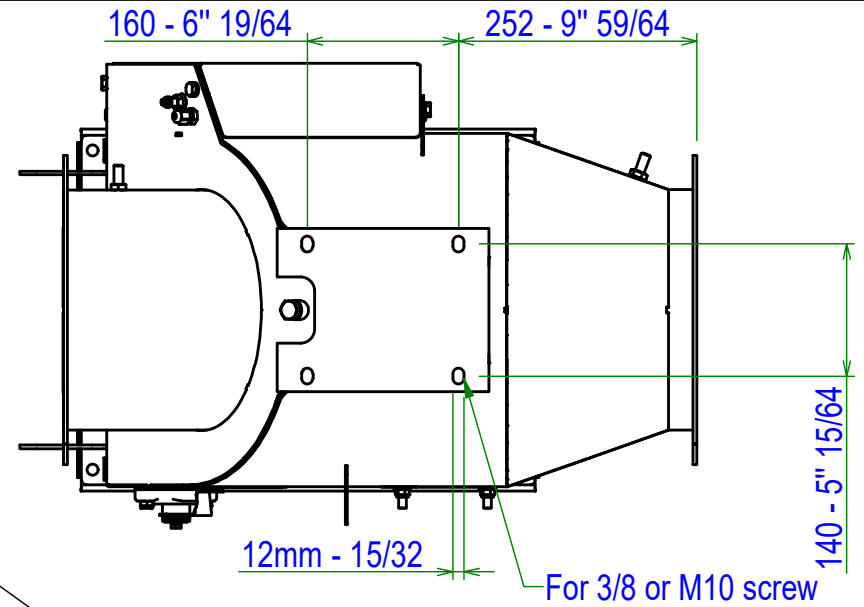
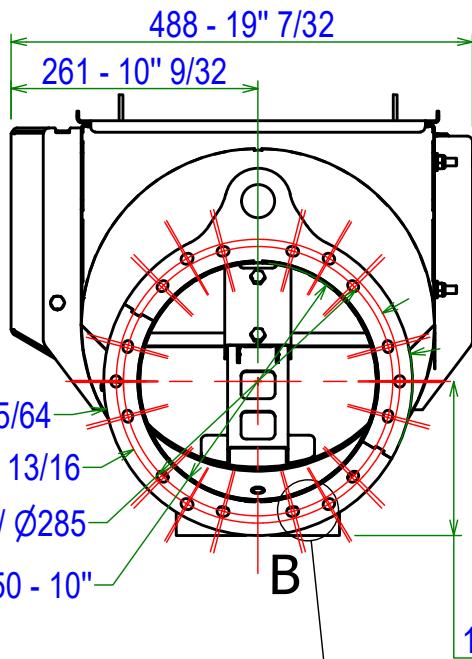


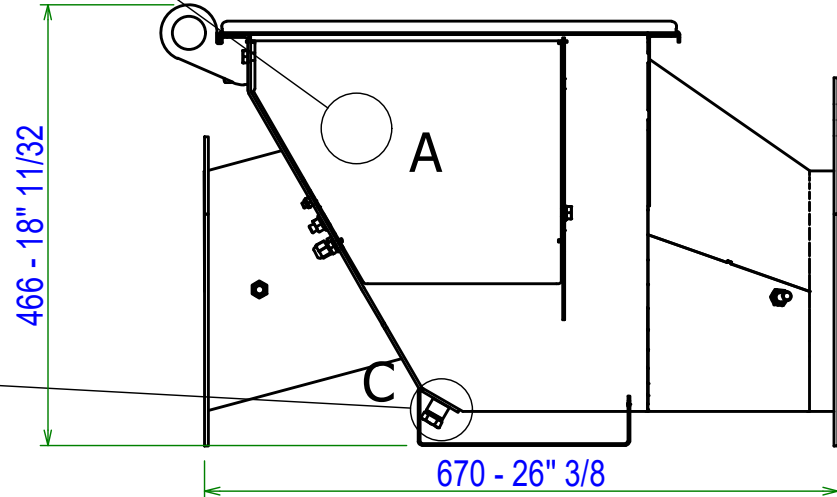
A (Flap position detector)



Inductive detector M12 - 15/32

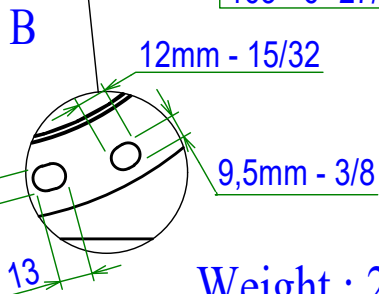


C (Build up detector)



Capacitive detector M12 - 15/32

Outside $\varnothing 326,8 - 12" 55/64$
 IMP axis $6 \times \varnothing 3/8 / 11" 13/16$
 EU axis $12 \times \varnothing 10 / \varnothing 285$
 Inside $\varnothing 250 - 10"$



Pressure resistance = 2bar
 Optimal flanges and flange gaskets

Informative dimension

Weight : 28Kg

A	Création	19/03/21	BM	MJ
Ind.	Objet de la modification	Date	Nom	Vérif.
STIF Matière:		Date de création: 19/03/2021	A4	Ech.: s/e
Plan n°: 57VP_025_Clt				
Désignation: VigiFlap PASSIVE Ø250-10"				