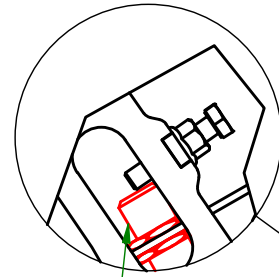
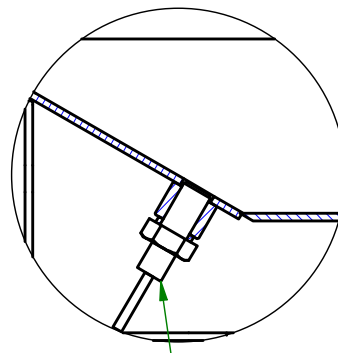


B (Flap position detector)

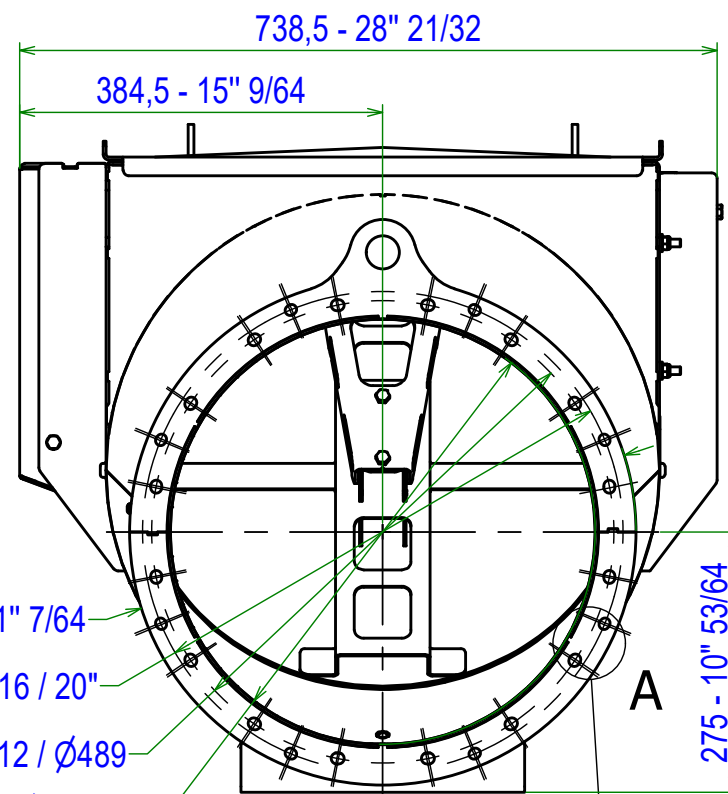
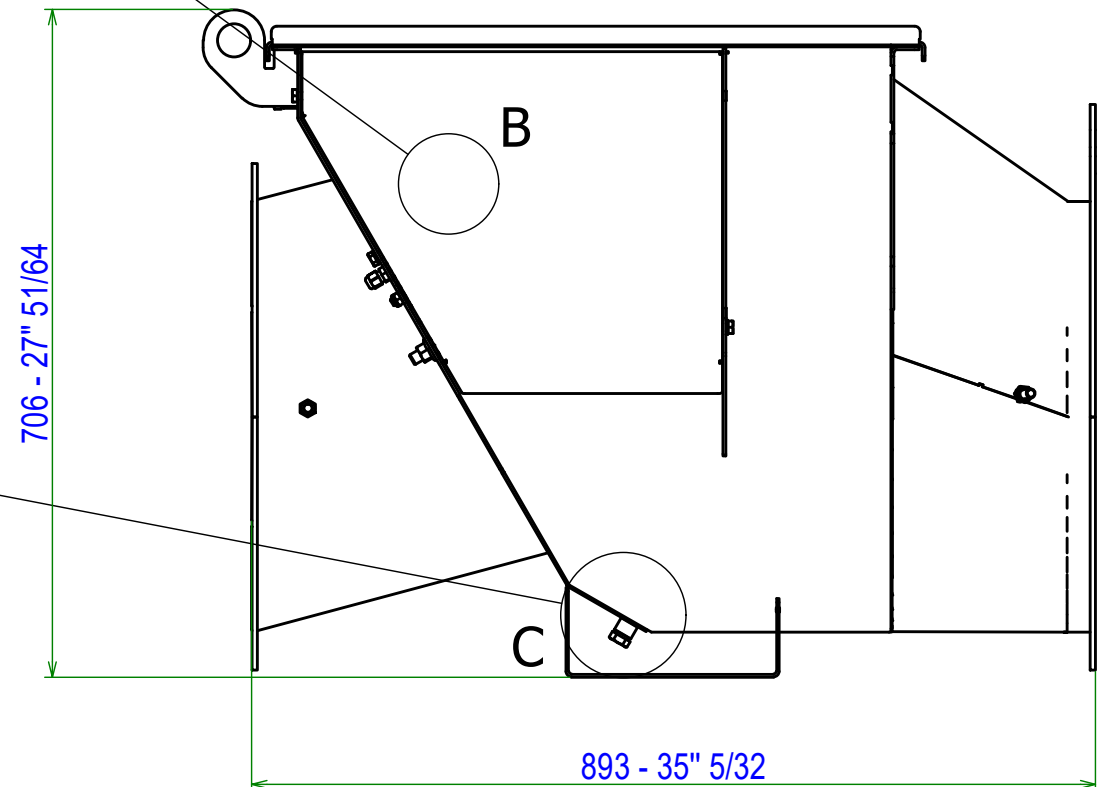


Inductive detector M18 - 45/64

C (Build up detector)



Capacitive detector M12 - 15/32

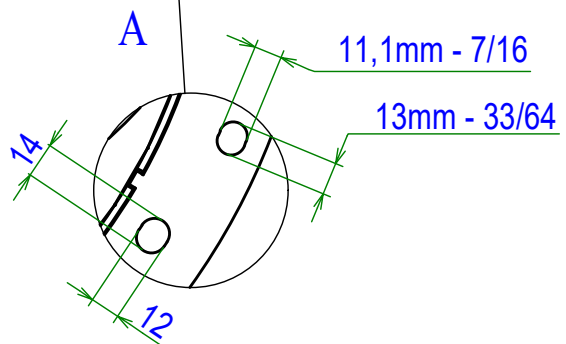


Outside Ø536,2 - 21" 7/64

IMP axis 8xØ7/16 / 20"

EU axis 16xØ12 / Ø489

Inside Ø450 - 18"



Pressure resistance = 2bar
Optional flanges and flange gaskets

Informative dimension

Weight : 70 kg

| | | | | |
|--|--------------------------|---------------------------------|-----|--------------|
| A | Création | 19/03/21 | BM | MJ |
| Ind. | Objet de la modification | Date | Nom | Vérif. |
| Matière: | | Date de création: 03/11/2020 | A3 | Ech.: s/e |
| Plan n°: 57VP_045_Clt | | | | |
| Désignation: VigiFlap PASSIVE Ø450 - 18" | | | | |