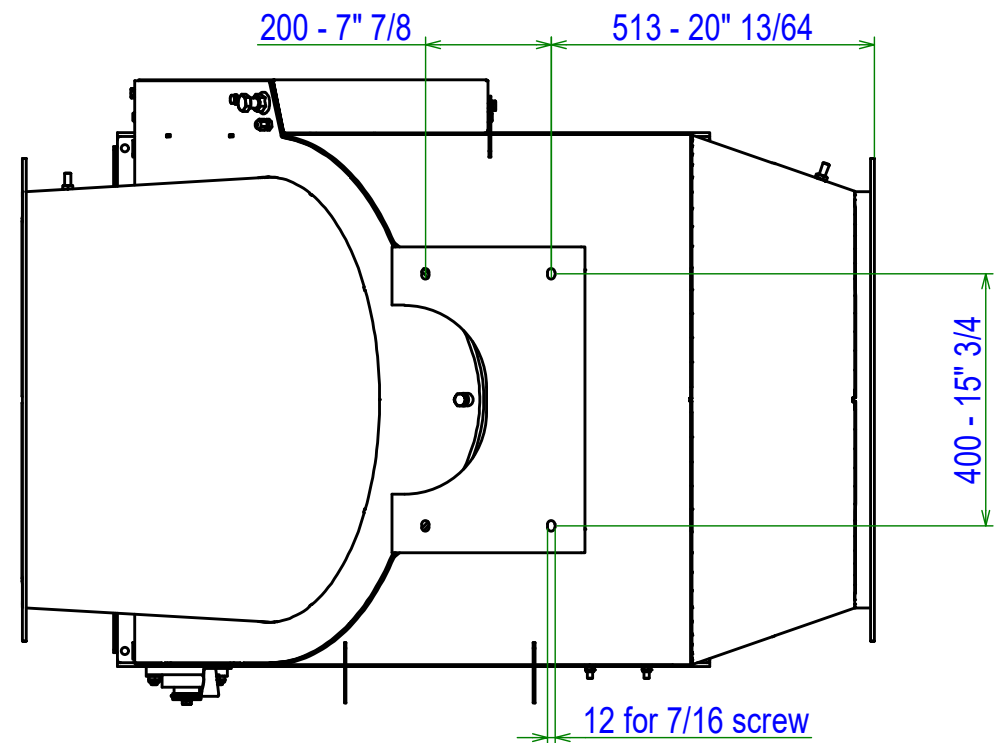
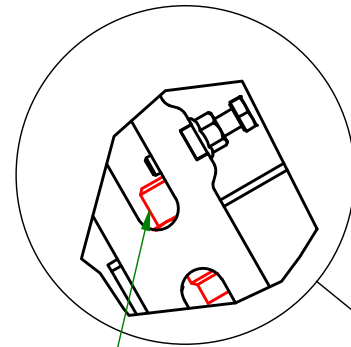
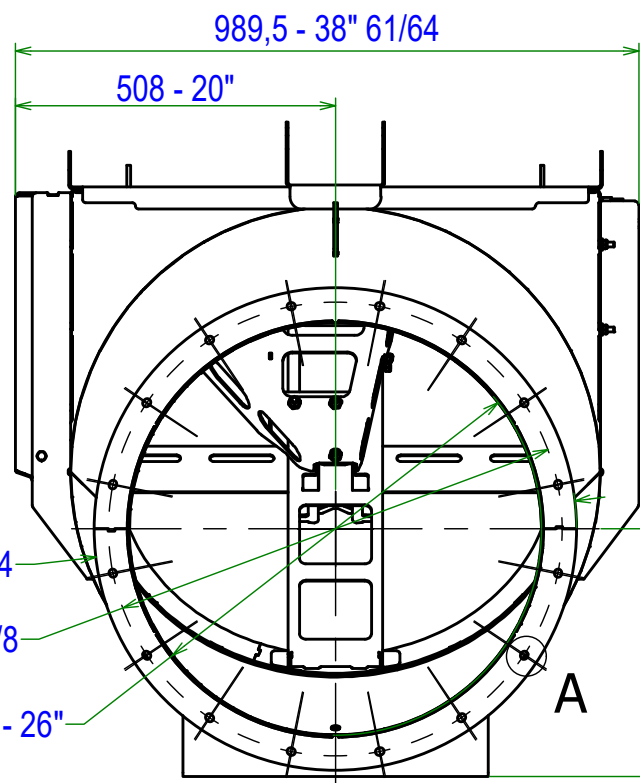


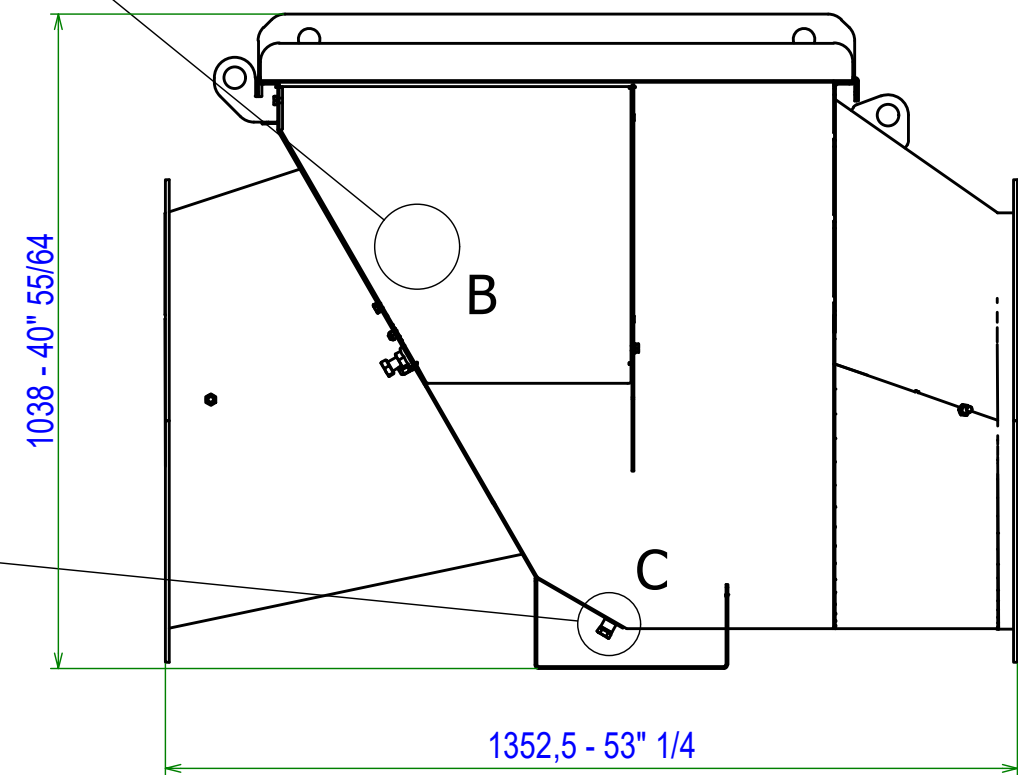
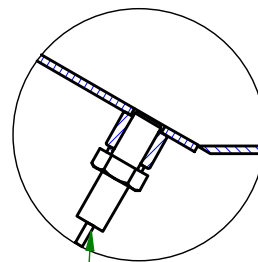
B (Flap position detector)



Inductive detector M18



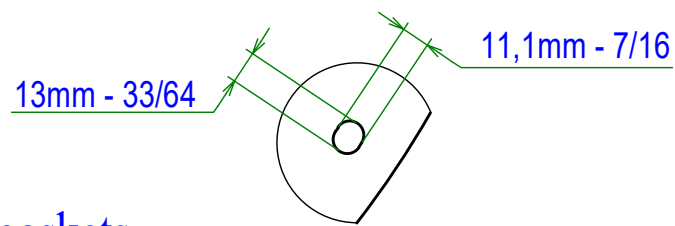
C (Build up detector)



Outside $\varnothing 765,6 - 30'' 9/64$
 Axis $\varnothing 720,7 - 28'' 3/8$
 Inside $\varnothing 655 - 26''$

Capacitive detector M12

A (Hole x16 for 3/8 screw)



Pressure resistance = 2bar
 Optional flanges and flange gaskets

Informative dimension

Weight : 148 kg

| | | | | |
|--|--------------------------|---------------------------------|-----|--------------|
| A | Création | 22/03/21 | BM | MJ |
| Ind. | Objet de la modification | Date | Nom | Vérif. |
| Matière: | | Date de création: 22/03/2021 | A3 | Ech.: s/e |
| Plan n°: 57VP_026_Clt | | | | |
| Désignation: VigiFlap PASSIVE Ø26" | | | | |