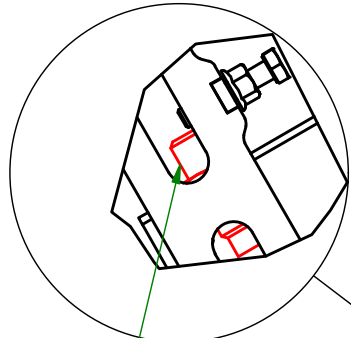
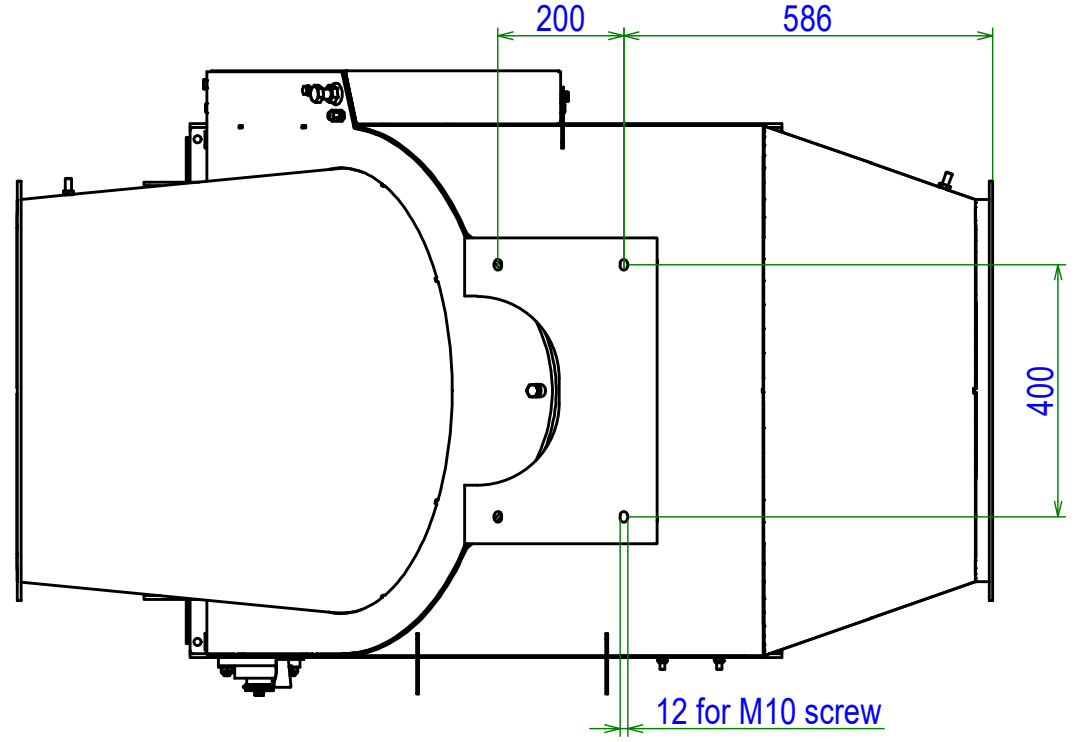


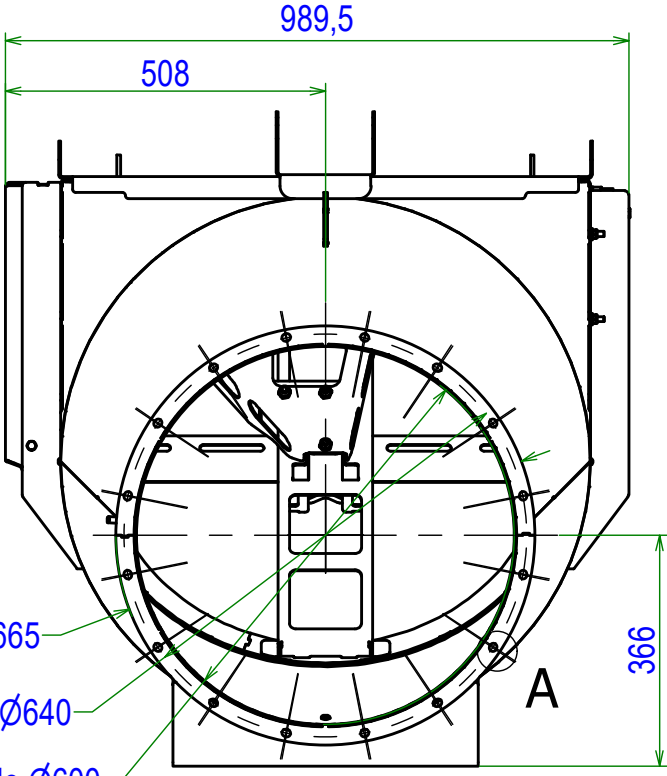
B (Flap position detector)



Inductive detector M18

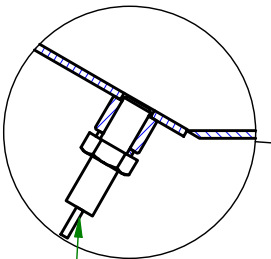


12 for M10 screw

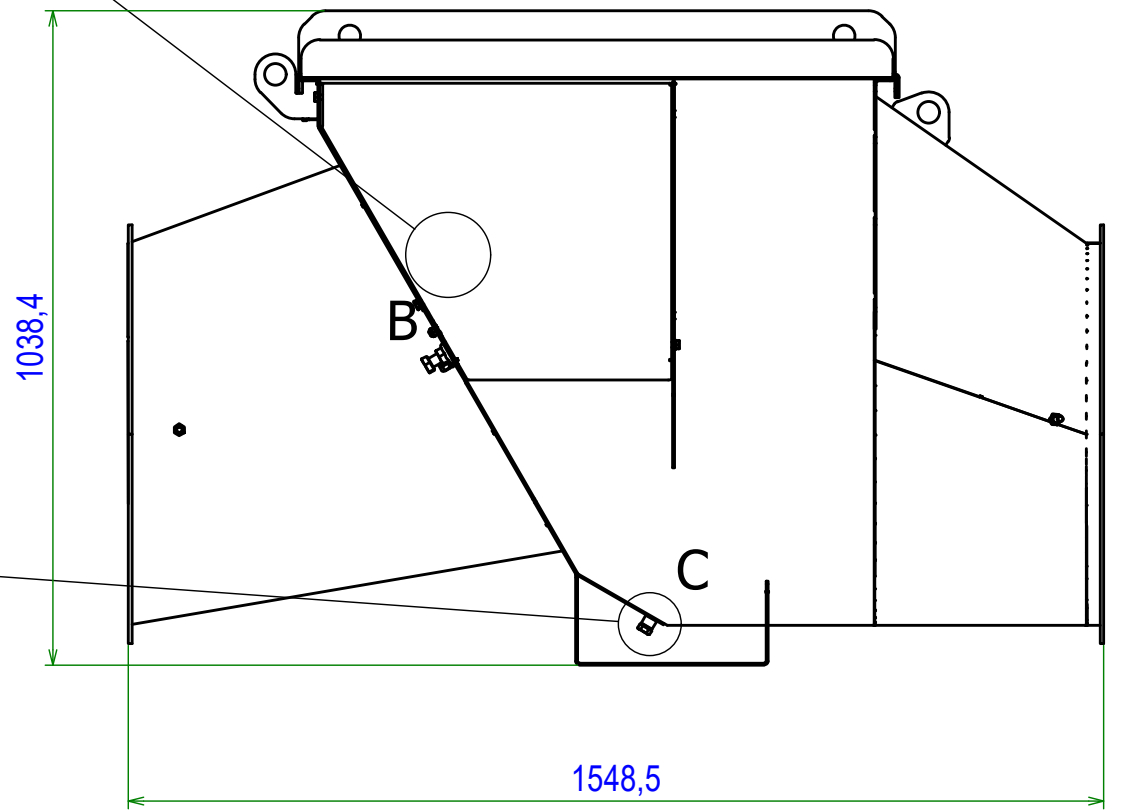


Outside Ø665  
Axis Ø640  
Inside Ø600

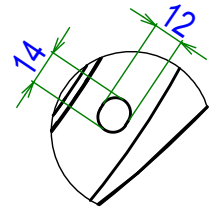
C (Build up detector)



Capacitive detector M12



A (Hole x16 for M10 screw)



Pressure resistance = 2bar  
Optional flanges and flange gaskets

Informative dimension

Weight : 150 kg

A	Création	07/01/21	BM	MJ
Ind.	Objet de la modification	Date	Nom	Vérif.
Matière:		Date de création: 07/01/2021	A3	Ech.: s/e
Plan n°: 57VP_060_Clt				
Désignation: <b>Vigiflap PASSIVE Ø600</b>				