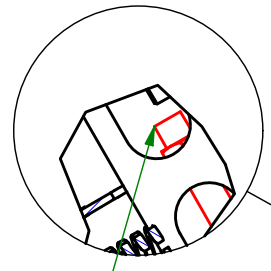
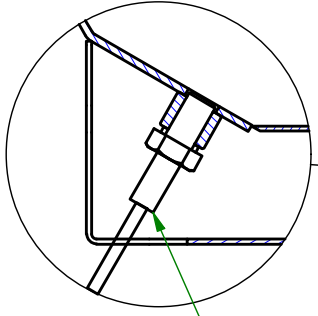


B (Flap position detector)

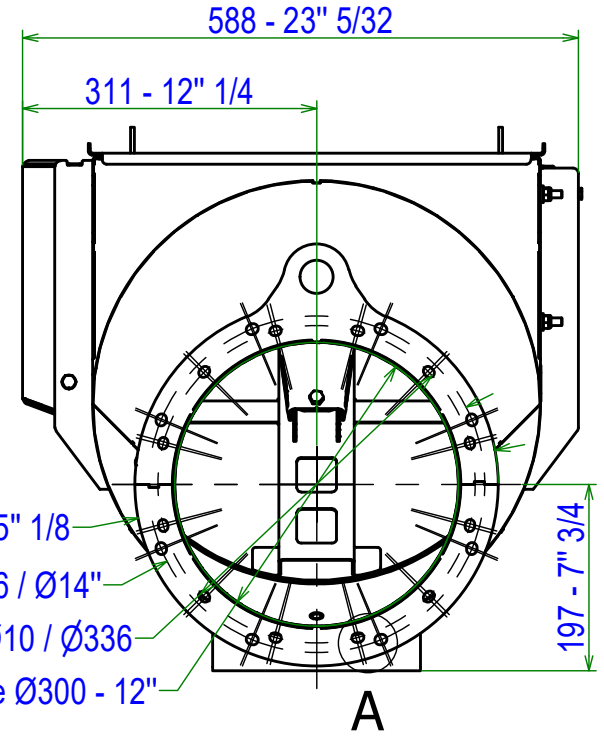
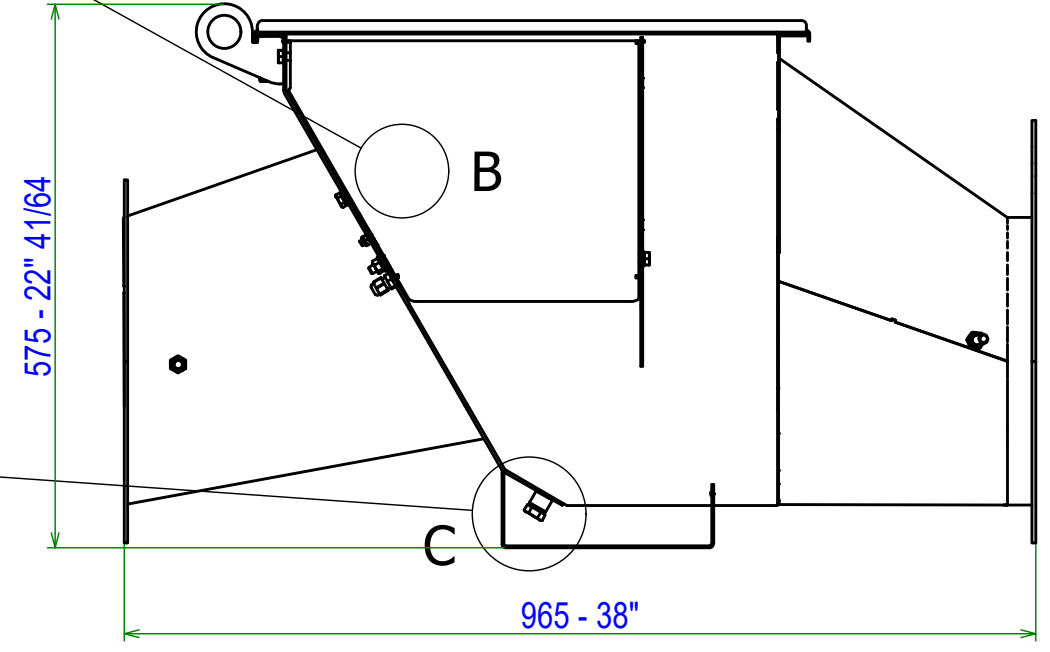


Inductive detector M12 - 15/32

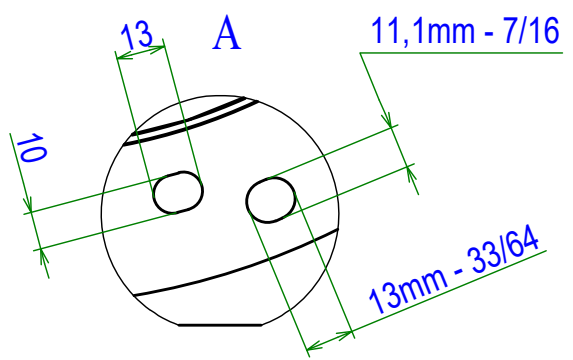
C (Build up detector)



Capacitive detector M12 - 15/32



Outside Ø384,2 - 15" 1/8  
 IMP axis 8xØ7/16 / Ø14"  
 EU axis 12xØ10 / Ø336  
 Inside Ø300 - 12"



Pressure resistance = 2bar  
 Optional flanges and flange gaskets

Informative dimension

Weight : 42 kg

A	Création	19/03/21	BM	MJ
Ind.	Objet de la modification	Date	Nom	Vérif.
<b>STIF</b>	Matière:	Date de création: 19/03/2021	A3	Ech.: s/e
Plan n°: 57VP_030_Clt				
Désignation: <b>VigiFlap PASSIVE Ø300-12"</b>				