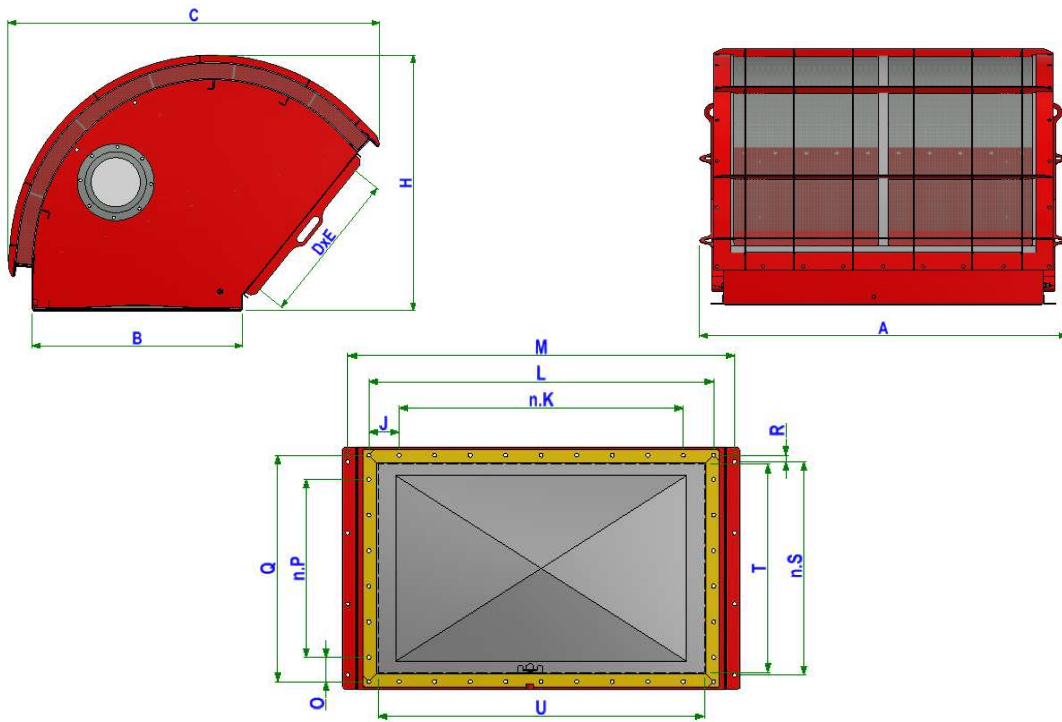


## General dimensions :

VQ HW VQ LW	Nominal panel size	Nominal panel area	Weight VQ HW	Weight VQ LW	Fixing Bolt Nbr
170x470	170 x 470 mm / 7 x 19 inch	0,0785 m <sup>2</sup> / 0,845 sq ft	59 kg	48 kg	20 M10x30
270x458	270 x 458 mm / 11 x 18 inch	0,1220 m <sup>2</sup> / 1,315 sq ft	74 kg	60 kg	22 M10x30
300x500	300 x 500 mm / 12 x 20 inch	0,1480 m <sup>2</sup> / 1,595 sq ft	82 kg	67 kg	24 M10x30
305x610	305 x 610 mm / 12 x 24 inch	0,1840 m <sup>2</sup> / 1,980 sq ft	96 kg	79 kg	26 M10x30
350x650	350 x 650 mm / 14 x 26 inch	0,2250 m <sup>2</sup> / 2,425 sq ft	101 kg	84 kg	26 M10x30
490x590	490 x 590 mm / 19 x 23 inch	0,2870 m <sup>2</sup> / 3,085 sq ft	123 kg	94 kg	32 M10x30
610x610	610 x 610 mm / 24 x 24 inch	0,3695 m <sup>2</sup> / 3,975 sq ft	147 kg	112 kg	32 M10x30
457x890	457 x 890 mm / 18 x 35 inch	0,4040 m <sup>2</sup> / 4,349 sq ft	152 kg	117 kg	34 M10x30
586x920	586 x 920 mm / 23 x 36 inch	0,5360 m <sup>2</sup> / 5,770 sq ft	178 kg	136 kg	42 M10x30
645x1130	645x1130 mm/ 25 x 44 inch	0,7250 m <sup>2</sup> / 7,804 sq ft	240 kg	222 kg	34 M10x30
920x920	920 x 920 mm/ 36 x 36 inch	0,8425 m <sup>2</sup> / 9,070 sq ft	641 kg	317 kg	50 M10x30
1130x1130	1130x1130 mm/ 44 x 44 inch	1,2720 m <sup>2</sup> / 13,694 sq ft	802 kg	442 kg	62 M10x30



VQ HW VQ LW	T	U	A	B	C	D	E	H	J	n. K	L	M	O	n. P	Q	R	n. S
170x470	168	468	748	268	588	582	195	490	110	3x100	520	638	70	1x80	220	35	1x150
270x458	268	456	736	368	750	570	275	580	74	4x90	508	626	110	1x100	320	35	1x250
300x500	298	498	774	398	796	612	302	604	75	4X100	550	668	75	2x100	350	25	1X300
305x610	303	608	884	403	796	722	302	604	76	5x101,6	660	778	76	2x102	356	28	1x300
350x650	348	648	924	448	868	762	339	645	-	7x100	700	818	-	4x100	400	50	1x300
490x590	488	588	864	588	1095	702	452	765	70	5x100	640	758	70	4x100	540	20	2x250
610x610	608	608	884	708	1255	722	528	876	-	6x110	660	778	-	6x110	660	30	3x200
457x890	455	888	1163	555	1076	1002	465	755	114	$101+(5x102)+101$	940	1058	102	3x101	507	3.5	2x250
586x920	584	918	1194	684	1220	1032	498	850	85	8x100	970	1088	68	5x100	636	18	3x200
645x1130	643	1128	1403	753	1462	1242	691	958	147.5	6x150	1195	1298	130	3x150	710	10	3x230
920x920	918	918	1340	1020	2151	1032	900	1315	85	8x100	970	1088	85	8x100	970	25	4x230
1130x1130	1128	1128	1600	1240	2385	1242	1100	1542	90	10x100	1180	1298	90	10x100	1180	20	6x190

All holes are  $\varnothing 12$  and require M10x30 type bolts