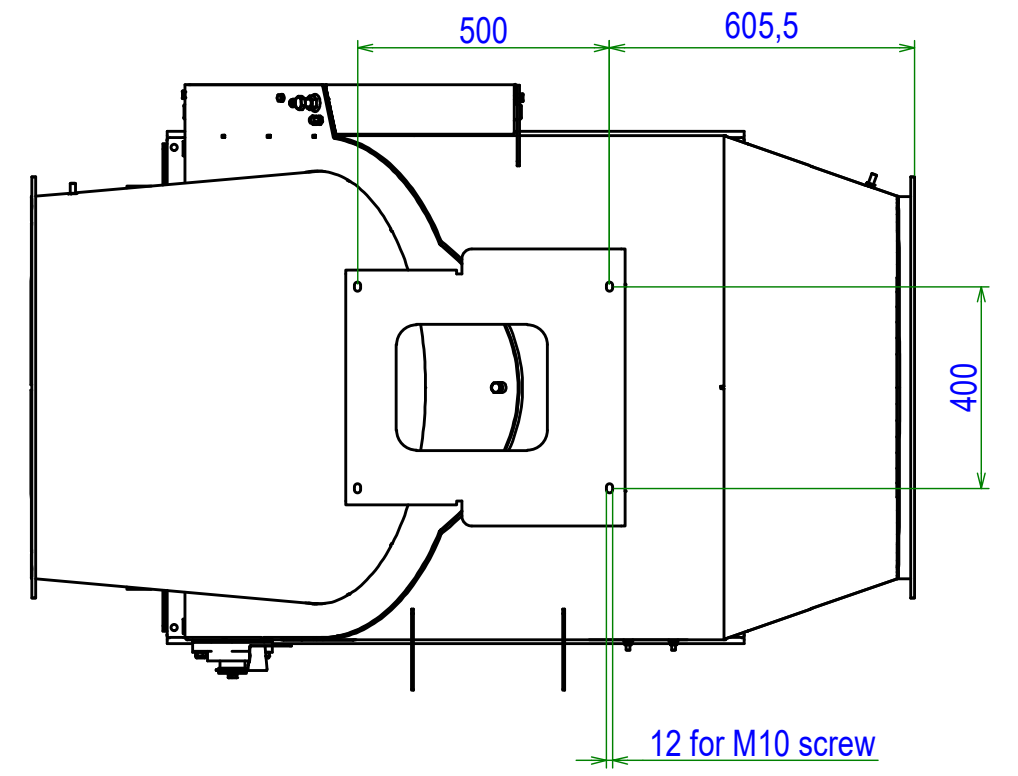
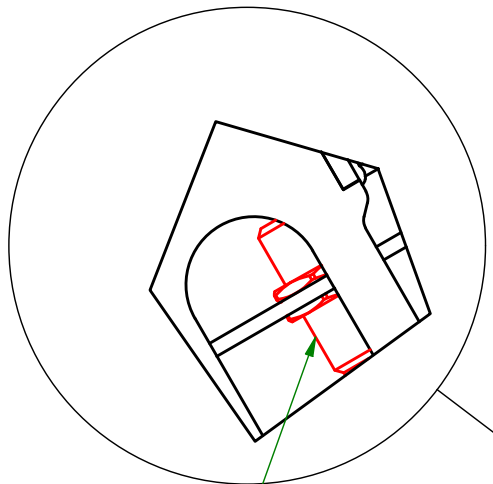
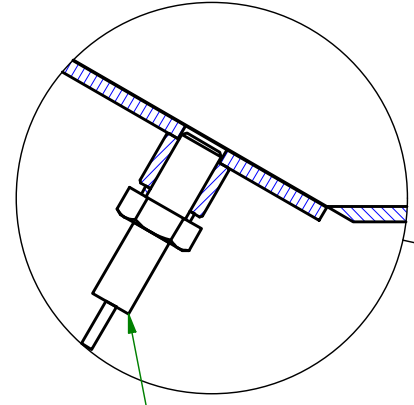


B (Flap position detector)

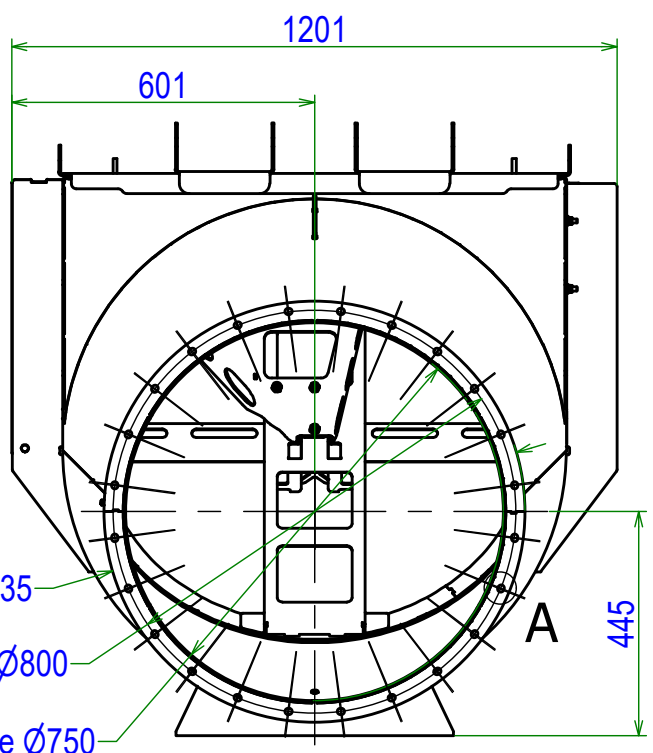
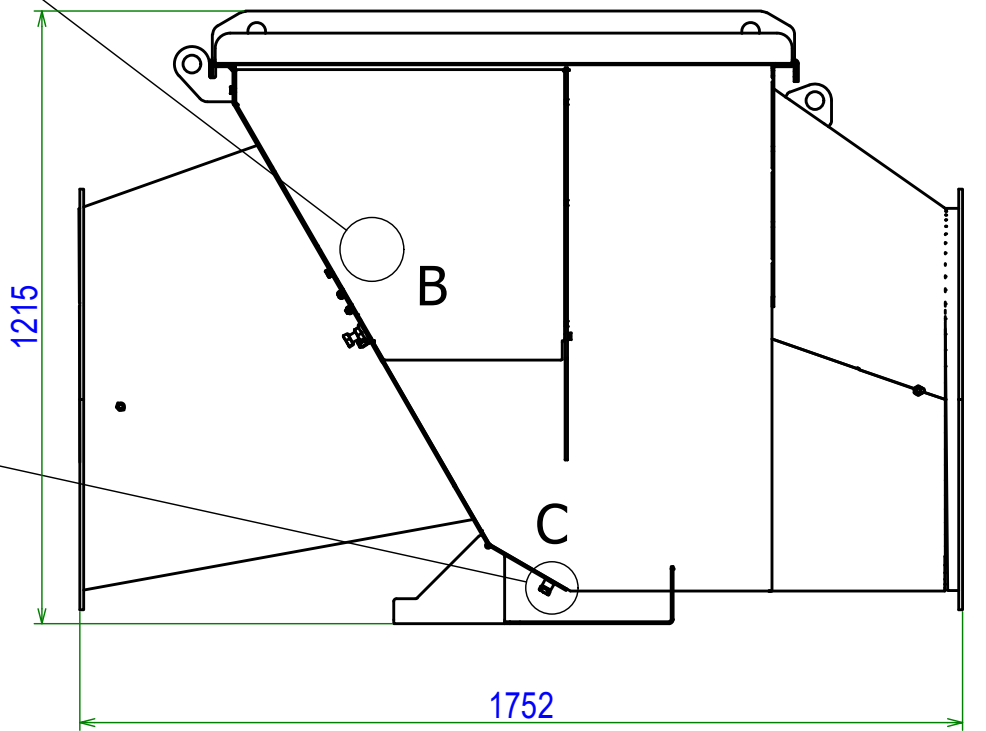


Inductive detector M18

C (Build up detector)

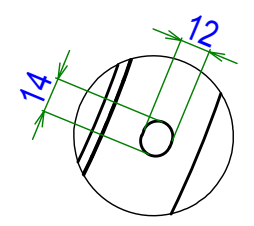


Capacitive detector M12



Outside Ø835
Axis Ø800
Inside Ø750

A (Hole x24 for M10 screw)



Pressure resistance = 2bar
Optional flanges and flange gaskets

Weight : 285 kg

Informative dimension

A	Création	22/03/21	BM	MJ
Ind.	Objet de la modification	Date	Nom	Vérif.
Matière:		Date de création: 22/03/2021	A3	Ech.: s/e
Plan n°: 57VP_075_Clt				
Désignation: VigiFlap PASSIVE Ø750				