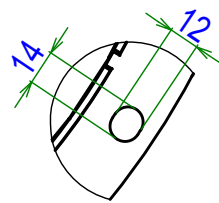


A (Hole x16 for M10 screw)

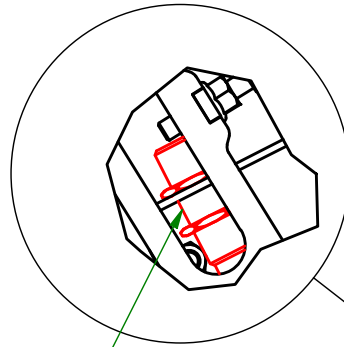


Pressure resistance = 2bar  
Optional flanges and flange gaskets

Informative dimension

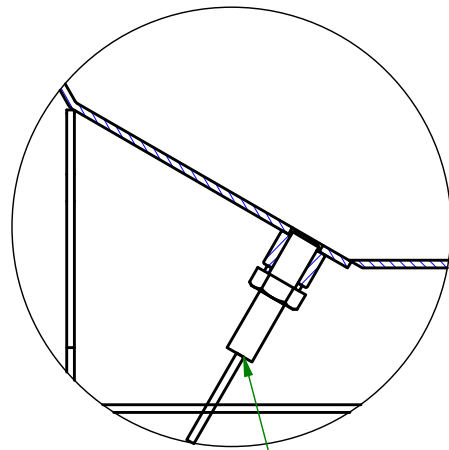
Weight : 83 kg

B (Flap position detector)

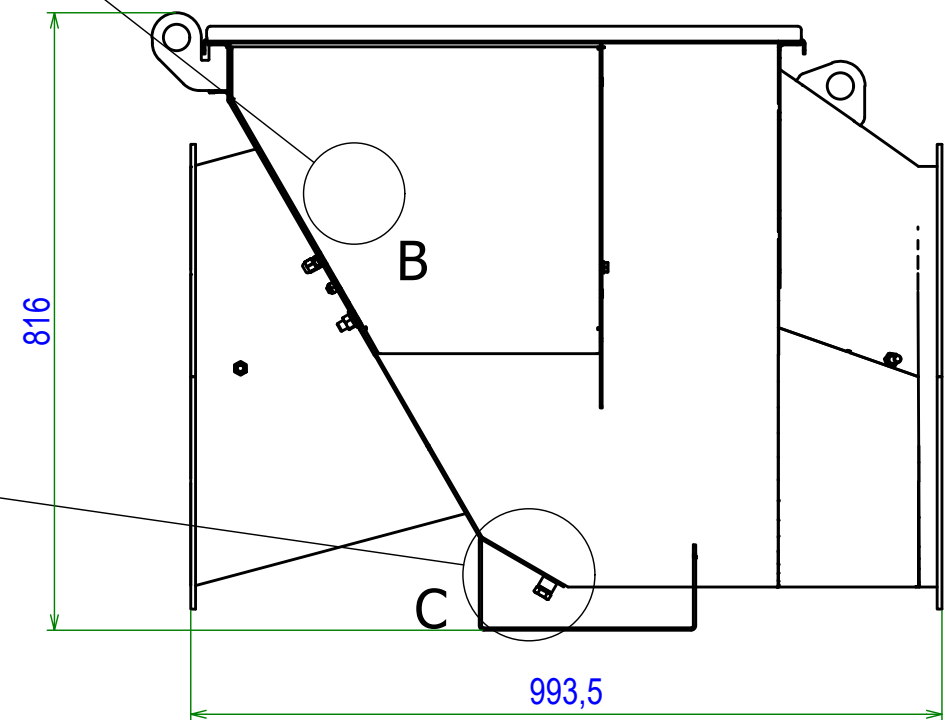
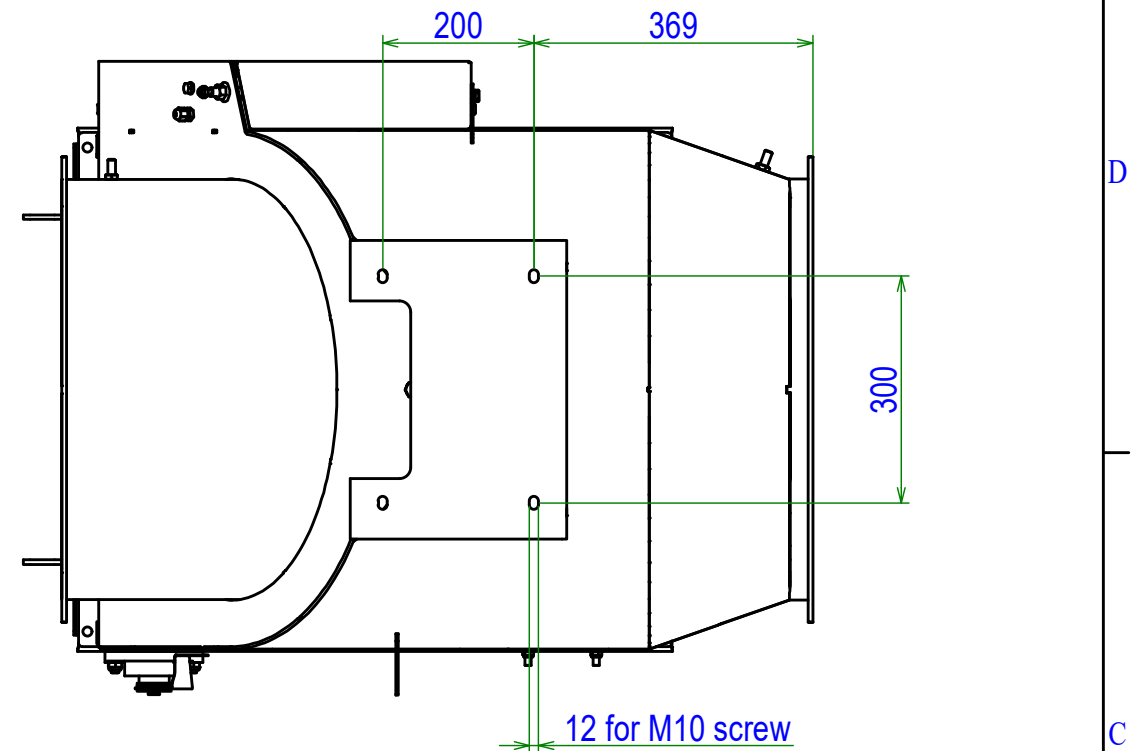


Inductive detector M18

C (Build up detector)



Capacitive detector M12



A	Création	22/03/21	BM	MJ
Ind.	Objet de la modification	Date	Nom	Vérif.
Matière:		Date de création: 04/11/2020	A3	Ech.: s/e
Plan n°: 57VP_055_Clt				
Désignation: <b>VigiFlap PASSIVE Ø550</b>				