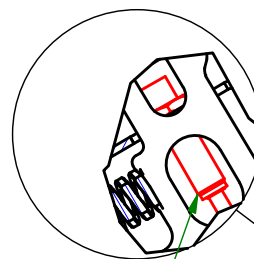
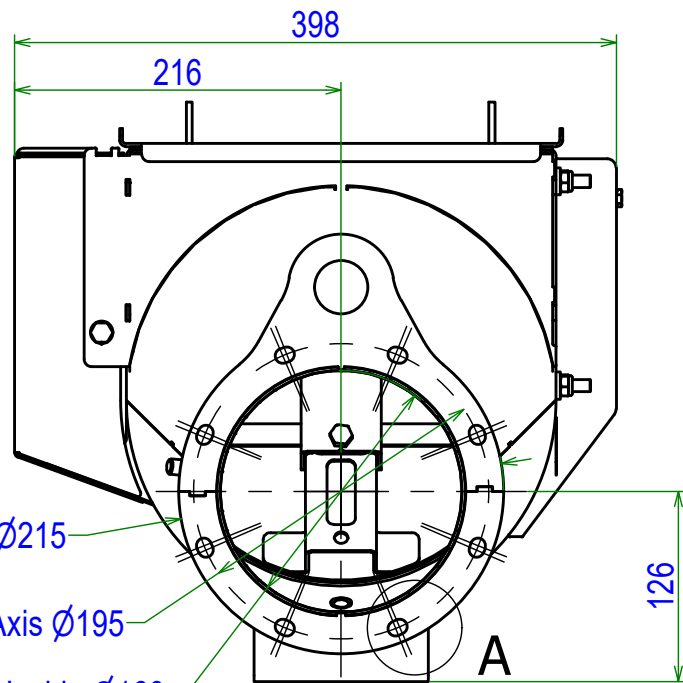


B (Flap position detector)



Inductive detector M12



Outside Ø215

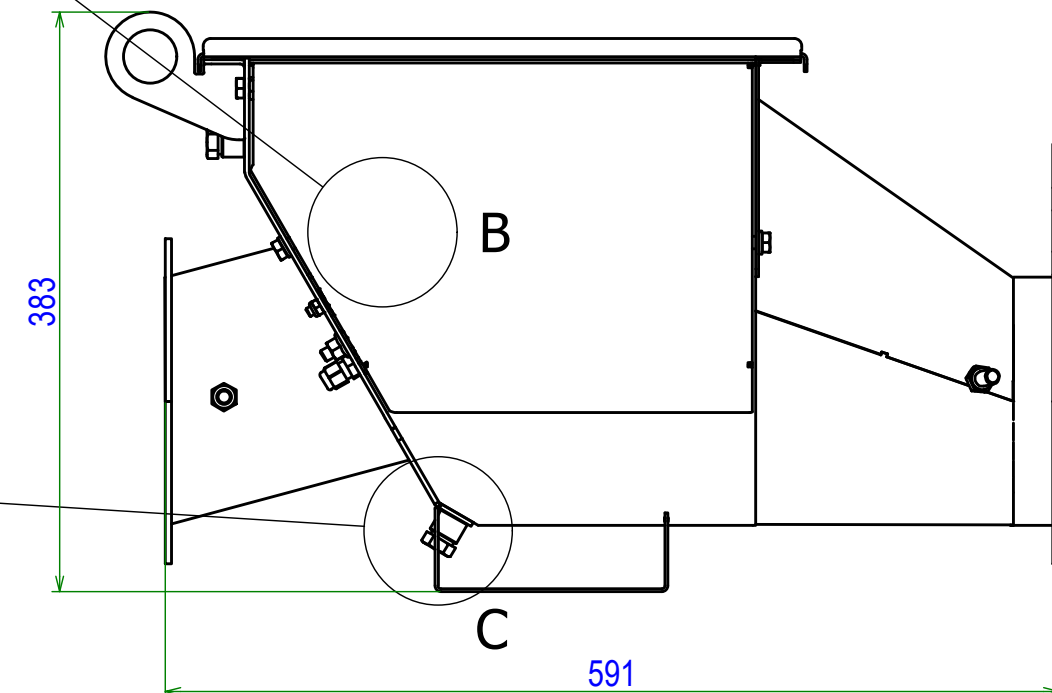
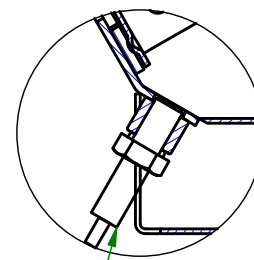
Axis Ø195

Inside Ø160

A

Capacitive detector M12

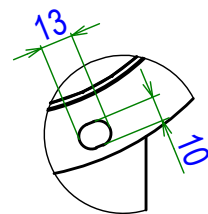
C (Build up detector)



B

C

A (Hole x8 for M8 screw)



Pressure resistance = 2bar
Optional flanges and flange gaskets

Informative dimension

Weight : 20 kg

| | | | | |
|--|--------------------------|---------------------------------|-----|--------------|
| A | Création | 19/03/21 | BM | MJ |
| Ind. | Objet de la modification | Date | Nom | Vérif. |
| Matière: | | Date de création: 19/03/2021 | A3 | Ech.: s/e |
| Plan n°: 57VP_016_Clt | | | | |
| Désignation: VigiFlap PASSIVE Ø160 | | | | |